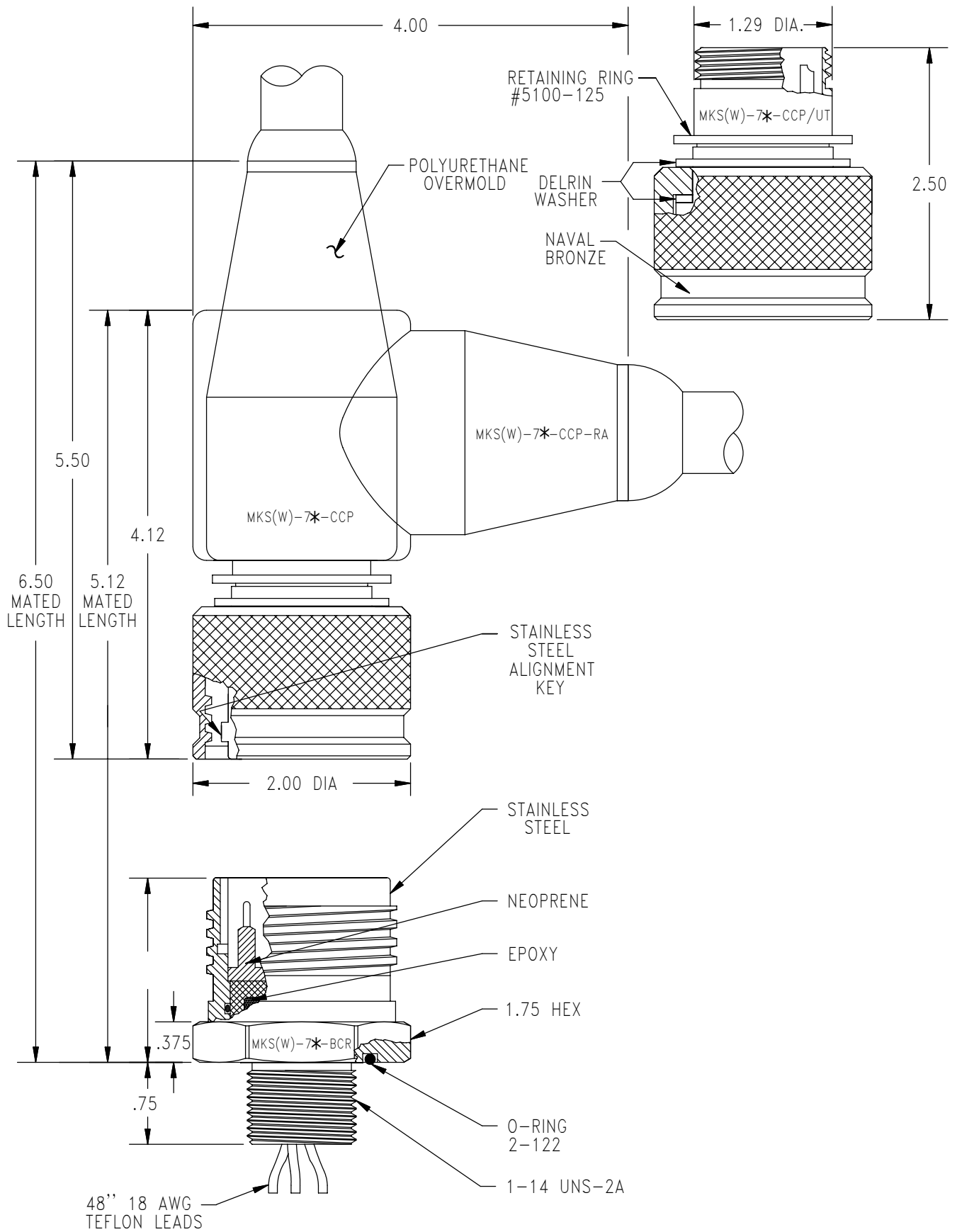


- DESCRIPTION AND MATERIAL
- Wet Pluggable.
  - Metal to metal key for positive alignment.
  - 316 Stainless Steel passivated per QQ-P-35 Type VI with naval bronze engaging nut.
  - Special alloys are available upon request (contact factory).
  - 10,000 PSI in mated condition.
  - Bulkhead connector design open face pressure rated to 5000 PSI.
  - Contacts gold plated per MIL-G-45204.
  - Engaging nuts have Acme threads for rugged applications and for quick connection.
  - Working voltage for MKS-200/300/3L00/400-BCR/FCR/CCP is 300 VDC.
  - Working voltage for MKS-500/700/900-BCR/FCR/CCP is 600 VDC.
- CABLE
- CCP is not terminated to cable unless specified at the time of order
  - MKS-200/300/3L00/400-BCR/FCR has Type E leads per MIL 16878/4.
  - MKS-500/700/900-BCR/FCR has Type EE leads per MIL 16878/5.
- USES
- Light and Heavy Duty applications.
  - Hazardous environment.
  - Power Transmission.
  - Signal Telemetry.
  - ROV applications.
- GUIDELINES
- All mounting and sealing surfaces require a 32 finish.
  - Lubricate mating surfaces with 3M Silicone Spray or equivalent, DO NOT grease! Connectors must be lubricated on a regular basis.
  - Lubricate o-rings with Dow Corning #111 Valve Lubricant or equivalent.
  - Use Dust Caps and keep connectors clean to prevent damage in storage and service.
  - Keep o-ring grooves clean and avoid cuts, nicks and tears on rubber surfaces.
  - Elastomers can be seriously degraded if exposed to direct sunlight or high ozone levels for extended periods of time.
  - Clean plugs and receptacles with soap and fresh water. Rinse out with alcohol, allowing connector to air dry.
  - Replace o-rings when re-using connectors.

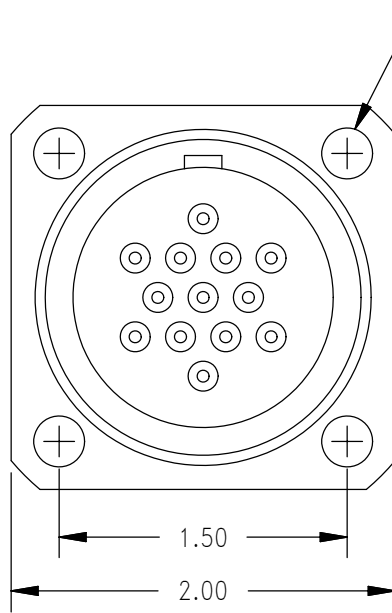
# MKS(W)-7

## METAL KEY WET PLUGGABLE RUBBER MOLDED TITAN™ SERIES



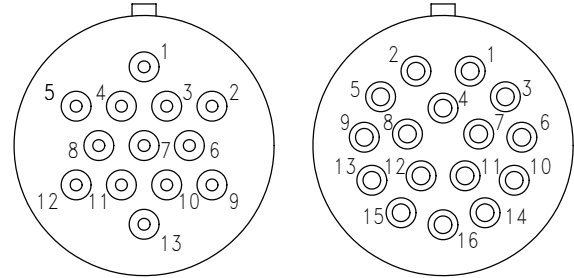
# MKS(W)-7

## METAL KEY WET PLUGGABLE RUBBER MOLDED TITAN™ SERIES



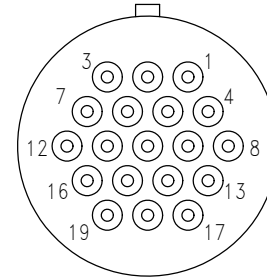
4X .265 DIA.\*\*\*\*

### CONTACT CONFIGURATION (BCR FACE VIEW)

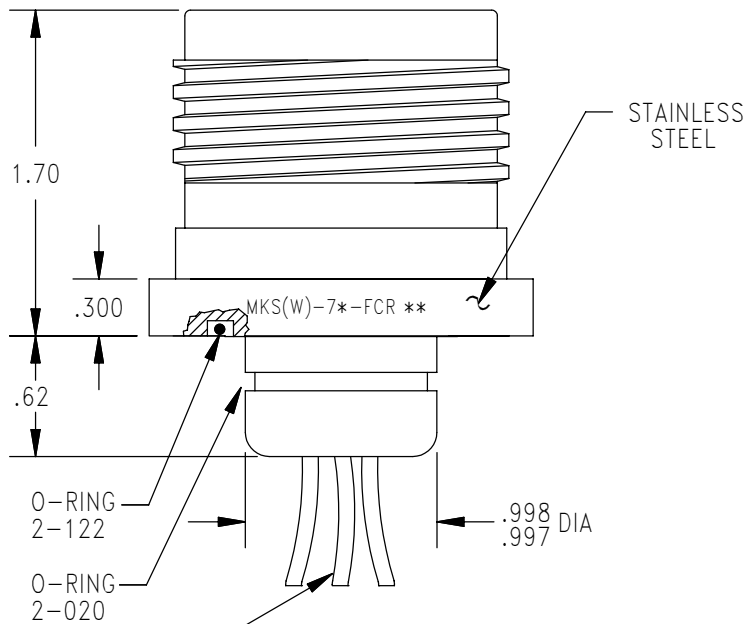


13#16

16#14



19#16



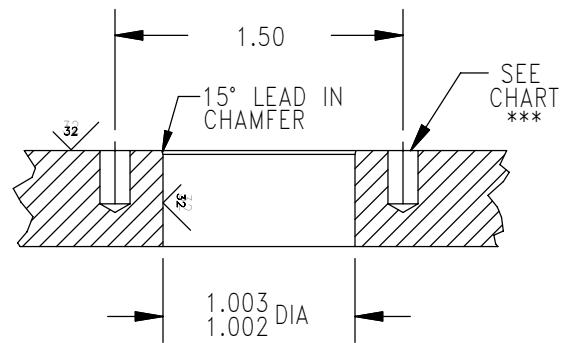
STAINLESS STEEL

MKS(W)-7\*-FCR \*\*

O-RING 2-122  
O-RING 2-020

48" 18 AWG TEFLON LEADS

### MOUNTING INSTRUCTIONS



SEE CHART \*\*\*

MOUNTING TORQUE FOR BCR	not to exceed 225 in lbs	MATED PRESSURE RATING (psi)	10,000
-------------------------	--------------------------	-----------------------------	--------

See pg. 9580 for SCP/SCR information.

NOTE: CCP is not terminated to cable unless specified.

\* Please specify number of contacts.

\*\* Internal assembly same as MKS(W)-7\*-BCR (facing page).

\*\*\* Blind tapped hole not to penetrate bulkhead, minimum full thread depth 2 times bolt diameter.

\*\*\*\* Modified M6 socket head cap bolts are available.