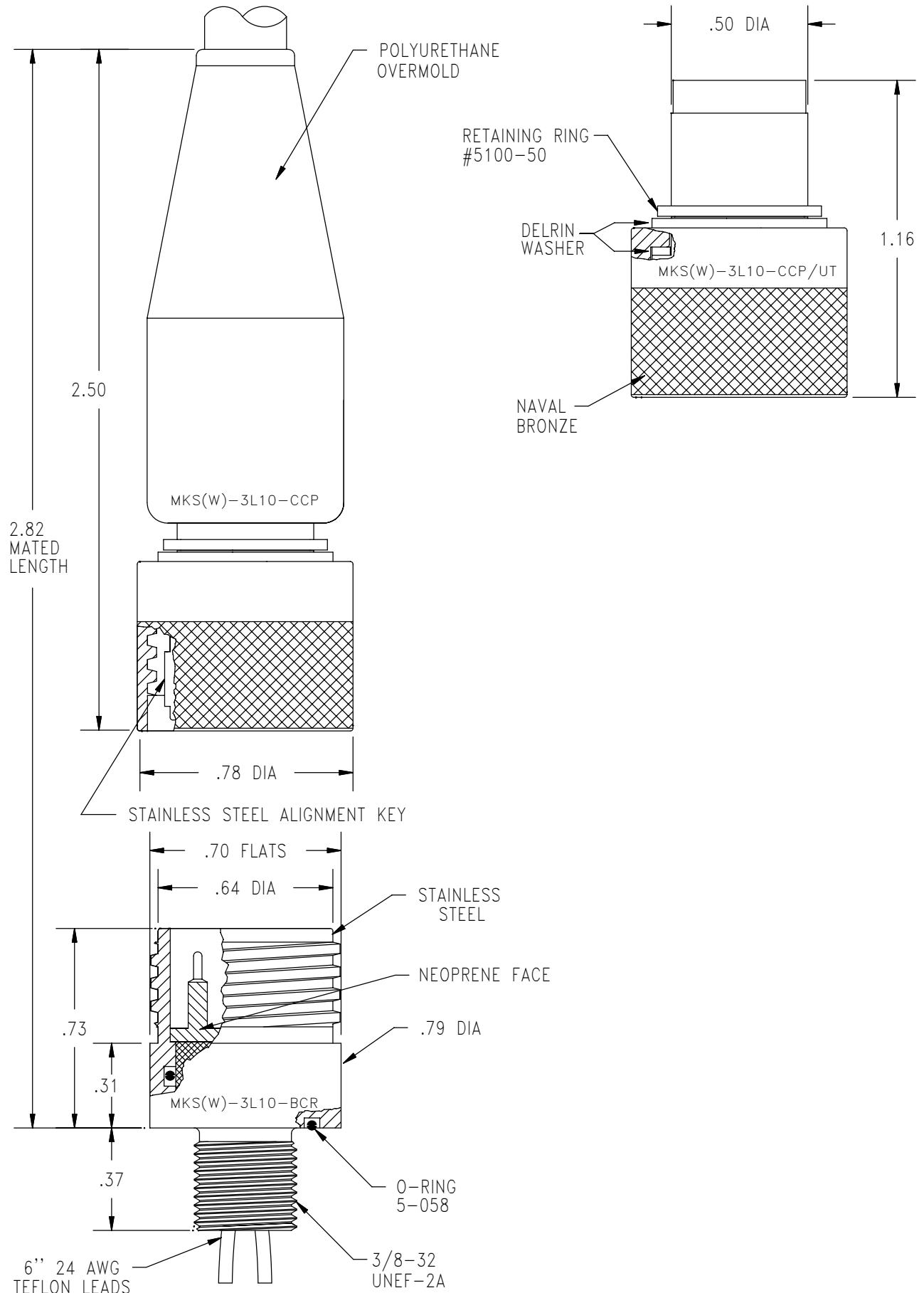


- DESCRIPTION AND MATERIAL
- Wet Pluggable.
  - Metal to metal key for positive alignment.
  - 316 Stainless Steel passivated per QQ-P-35 Type VI with naval bronze engaging nut.
  - Special alloys are available upon request (contact factory).
  - 10,000 PSI in mated condition.
  - Bulkhead connector design open face pressure rated to 5000 PSI.
  - Contacts gold plated per MIL-G-45204.
  - Engaging nuts have Acme threads for rugged applications and for quick connection.
  - Working voltage for MKS-200/300/3L00/400-BCR/FCR/CCP is 300 VDC.
  - Working voltage for MKS-500/700/900-BCR/FCR/CCP is 600 VDC.
- CABLE
- CCP is not terminated to cable unless specified at the time of order
  - MKS-200/300/3L00/400-BCR/FCR has Type E leads per MIL 16878/4.
  - MKS-500/700/900-BCR/FCR has Type EE leads per MIL 16878/5.
- USES
- Light and Heavy Duty applications.
  - Hazardous environment.
  - Power Transmission.
  - Signal Telemetry.
  - ROV applications.
- GUIDELINES
- All mounting and sealing surfaces require a 32 finish.
  - Lubricate mating surfaces with 3M Silicone Spray or equivalent, DO NOT grease! Connectors must be lubricated on a regular basis.
  - Lubricate o-rings with Dow Corning #111 Valve Lubricant or equivalent.
  - Use Dust Caps and keep connectors clean to prevent damage in storage and service.
  - Keep o-ring grooves clean and avoid cuts, nicks and tears on rubber surfaces.
  - Elastomers can be seriously degraded if exposed to direct sunlight or high ozone levels for extended periods of time.
  - Clean plugs and receptacles with soap and fresh water. Rinse out with alcohol, allowing connector to air dry.
  - Replace o-rings when re-using connectors.

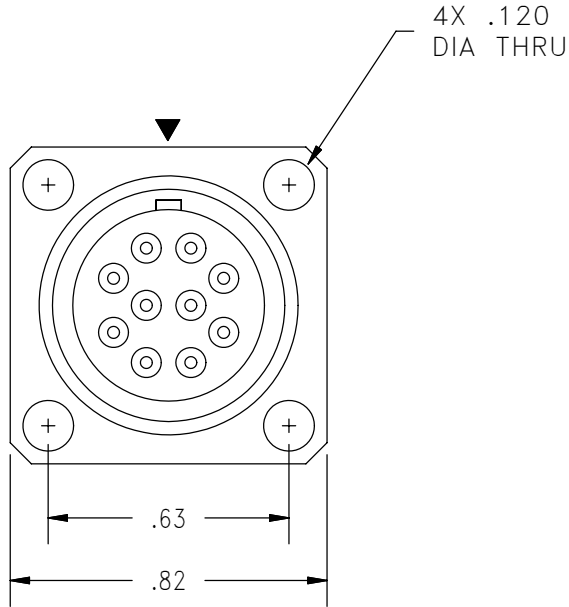
# MKS(W)-3L10

## METAL KEY WET PLUGGABLE RUBBER MOLDED TITAN™ SERIES

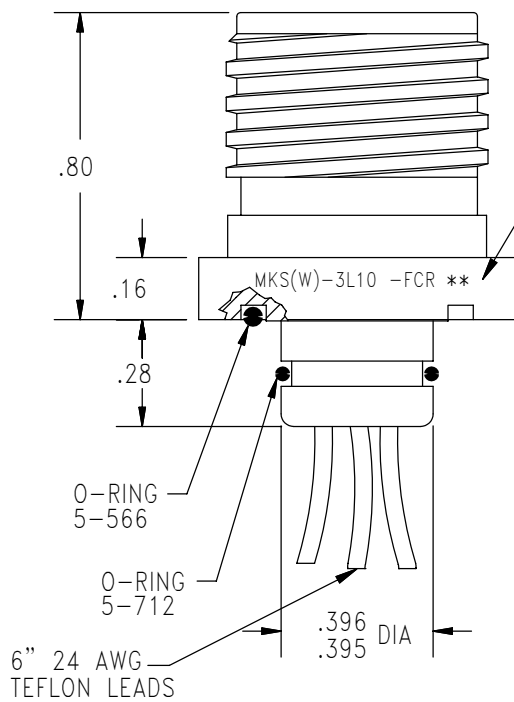
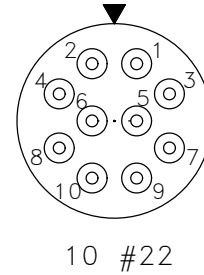


# MKS(W)-3L10

## METAL KEY WET PLUGGABLE RUBBER MOLDED TITAN SERIES

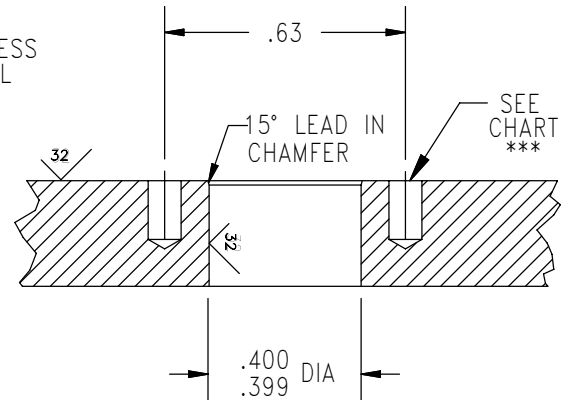


### CONTACT CONFIGURATION (BCR FACE VIEW)



STAINLESS STEEL

### MOUNTING INSTRUCTIONS



MOUNTING TORQUE FOR BCR	not to exceed 50 in lbs	MATED PRESSURE RATING (psi)	10,000
<p>NOTE: CCP is not terminated to cable unless specified.</p> <p>* Please specify number of contacts.</p> <p>**Internal assembly same as MKS(W)-3L10-BCR (facing page).</p> <p>*** Blind tapped hole not to penetrate bulkhead, minimum full thread depth 2 times bolt diameter.</p>			