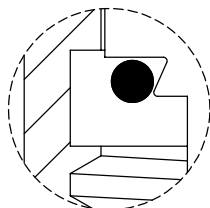
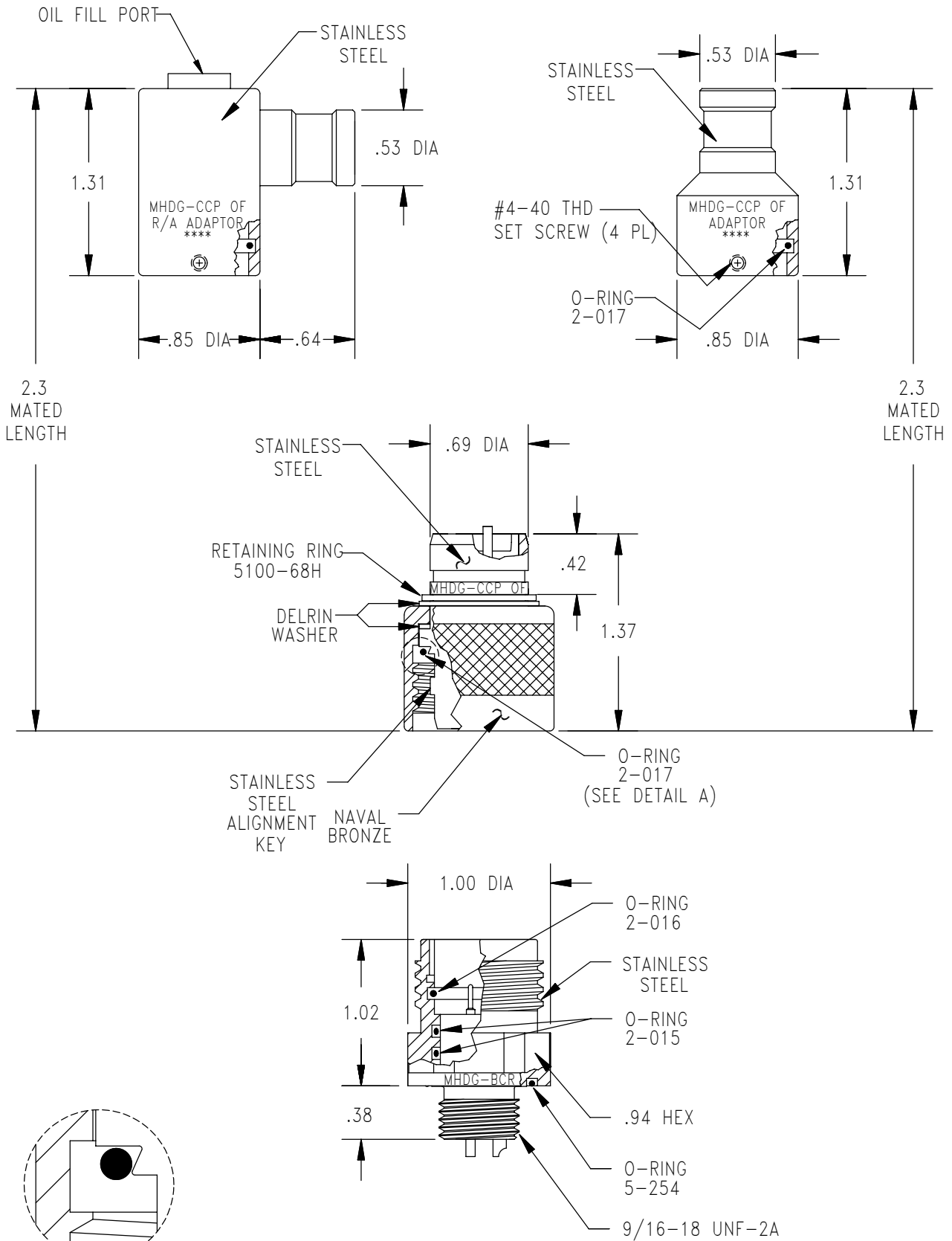
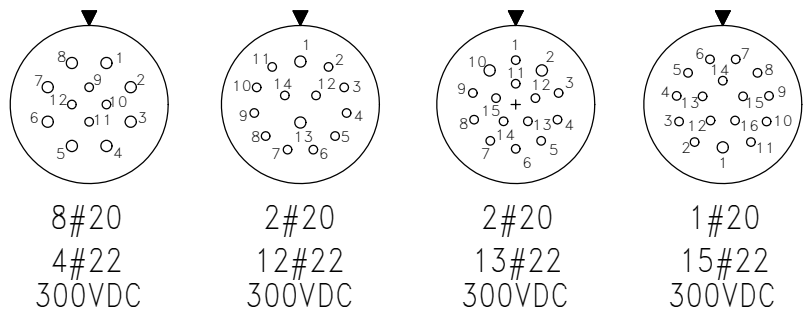
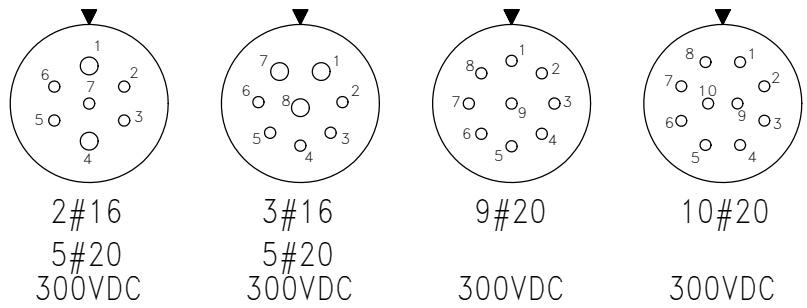
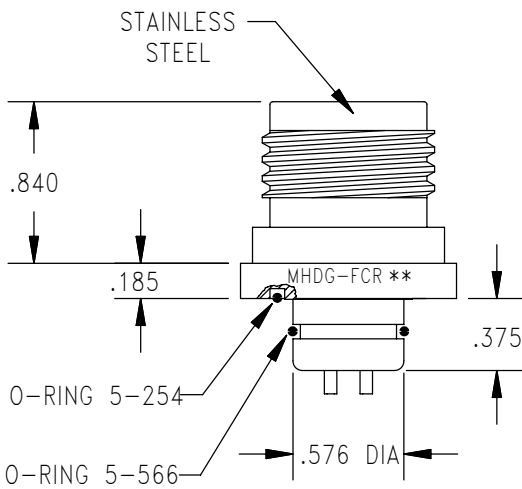
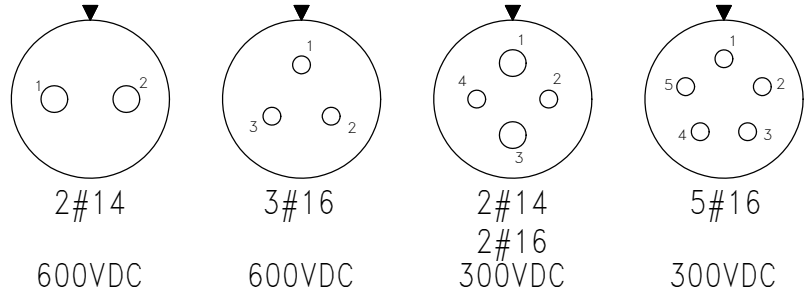
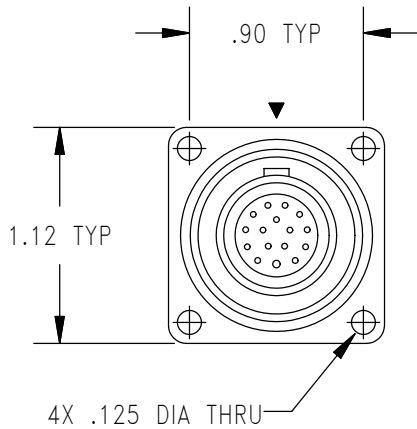


- 
- DESCRIPTION AND MATERIAL
- 316 stainless steel passivated per QQ-P-35 Type VI with naval bronze engaging nut.
  - Bulkhead connectors available as a threaded or flanged version with a removable glass reinforced epoxy insert. (Except for MHDG Series and CCP's)
  - Up to 61 contacts.
  - Up to 600 VDC.
  - 5,000 PSI in mated condition.
  - Bulkhead connector design open face pressure rated to 5,000 psi.
  - Contacts are gold plated per MIL-G-45204.
- USES
- For use with oil filled tubes.
  - Signal telemetry.
  - Hazardous environment.
- GUIDELINES
- Mounting torque should not exceed 150 in/lbs. for this series.
  - All mounting surfaces require a 32 finish.
  - Align indexes.
  - Keep o-ring grooves clean.
  - Avoid o-ring cuts and nicks.
  - Lubricate o-rings with Dow Corning #111 Valve Lubricant or equivalent.
  - Replace o-rings when re-using connectors.
  - Avoid contact with noxious solvents.
  - Elastomers can be seriously degraded if exposed to direct sunlight or high ozone levels for extended periods of time.
  - Slight leakage of oil through CCP face may occur.

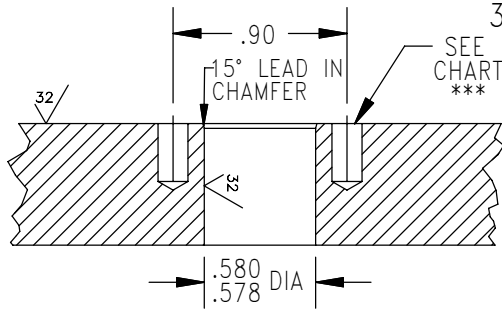


DETAIL A  
\*\*\*\*\*

CONTACT CONFIGURATION (BCR FACE VIEW)



MOUNTING INSTRUCTIONS

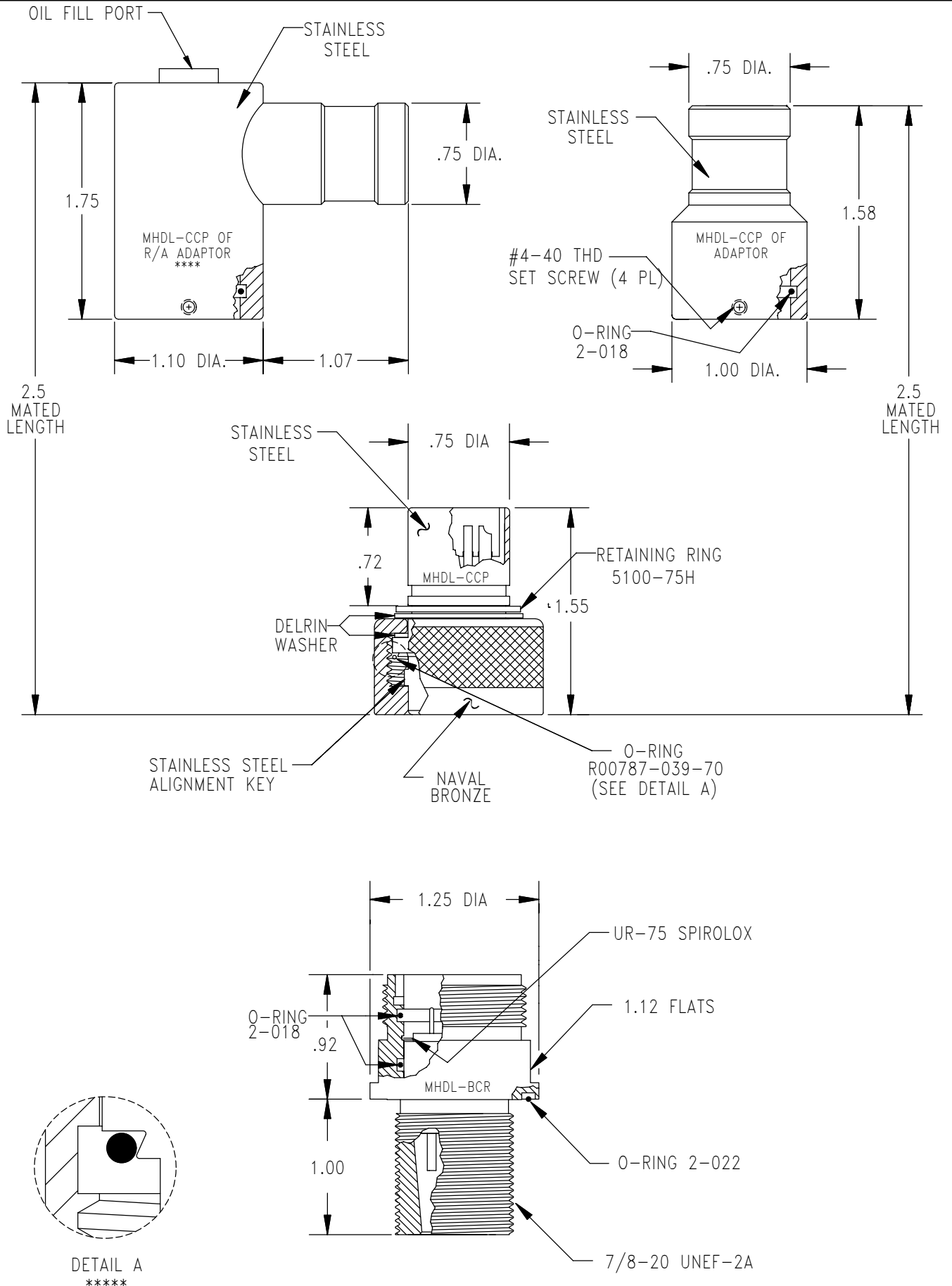


MOUNTING TORQUE FOR MHDG-BCR	not to exceed 150 in lbs	MATED PRESSURE RATING (psi)	5,000
DUMMY PLUG FOR MHDG-BCR/FCR/CCR	MHDG-SCP	DUMMY PLUG FOR MHDG-CCP	MHDG-SCR

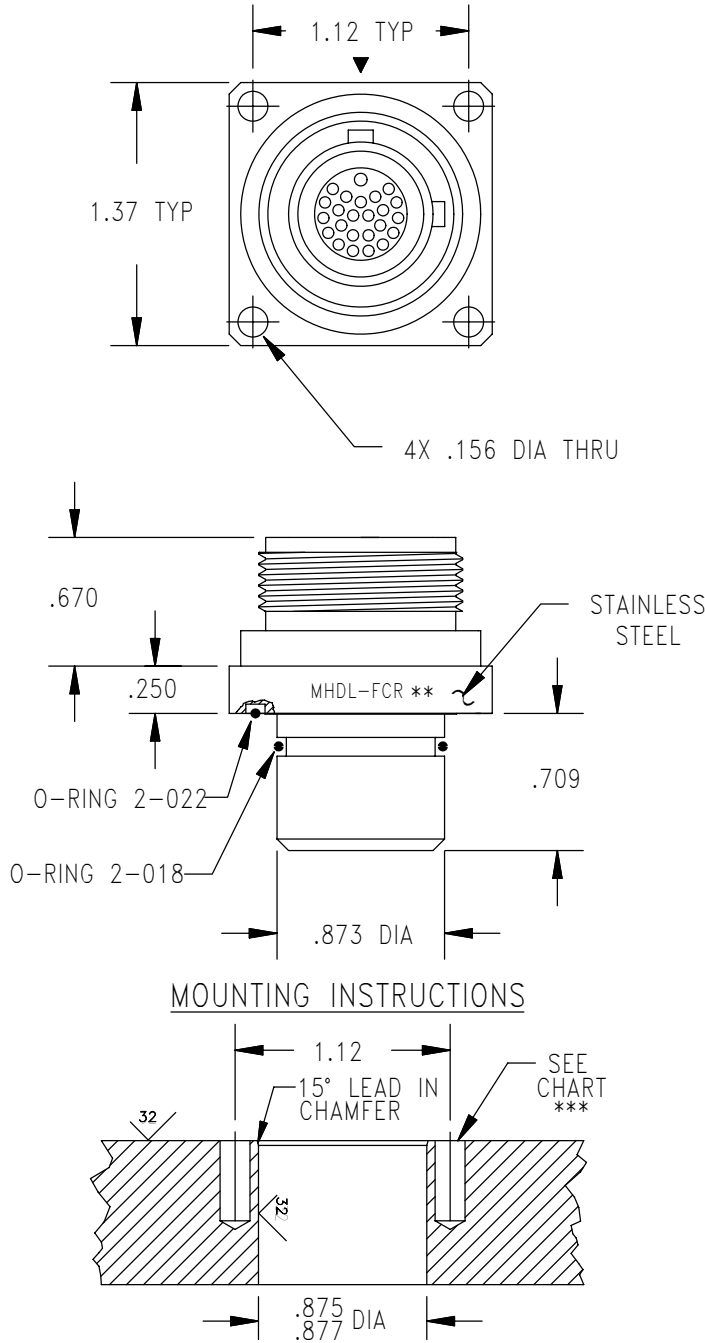
\* Please specify number of contacts.  
 \*\* Internal assembly same as MHDG-BCR (facing page).  
 \*\*\* Blind tapped hole not to penetrate bulkhead, minimum full thread depth 2 times bolt diameter.  
 \*\*\*\* OF adaptors should only be used with CCP-OF bodies.  
 \*\*\*\*\* O-Ring installation tool available – Contact factory for further details.

# MHDL-OF

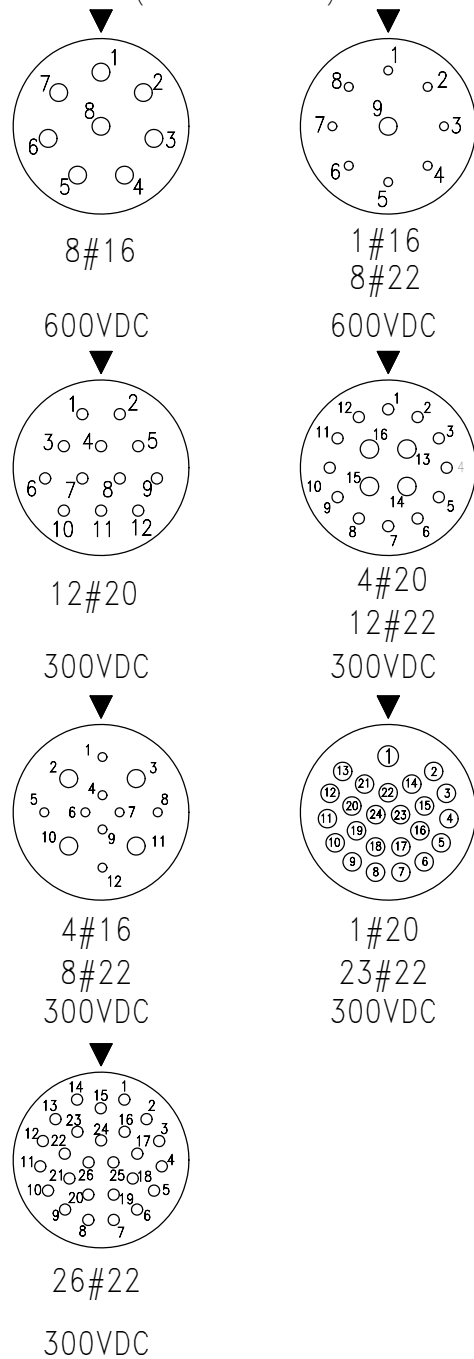
## MINIATURE HIGH DENSITY SERIES - OIL FILLED



CONTACT CONFIGURATION (BCR FACE VIEW)



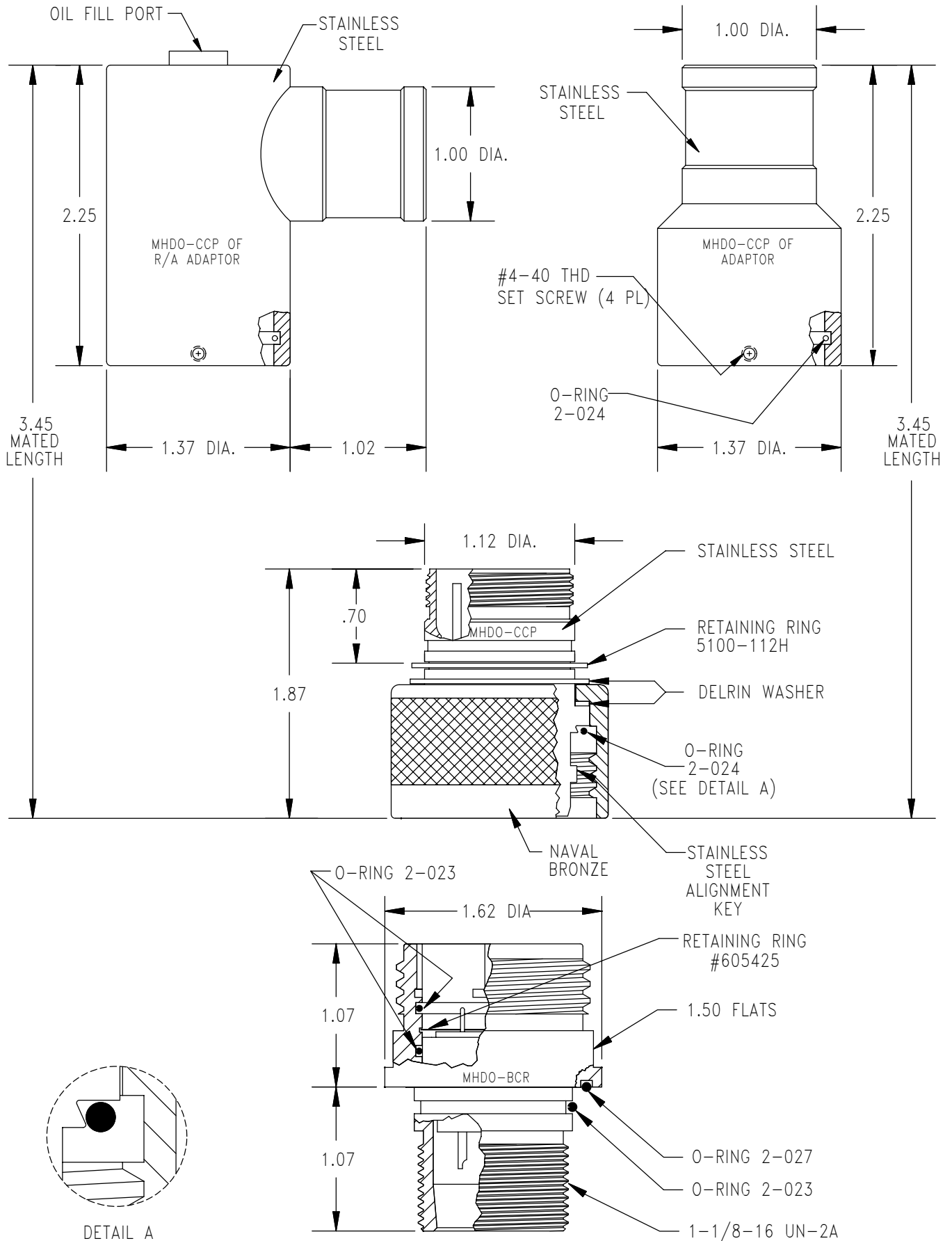
MOUNTING INSTRUCTIONS

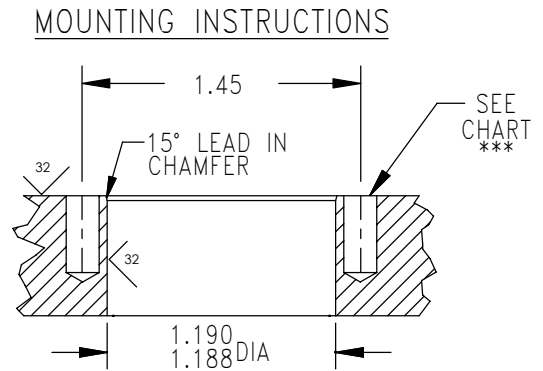
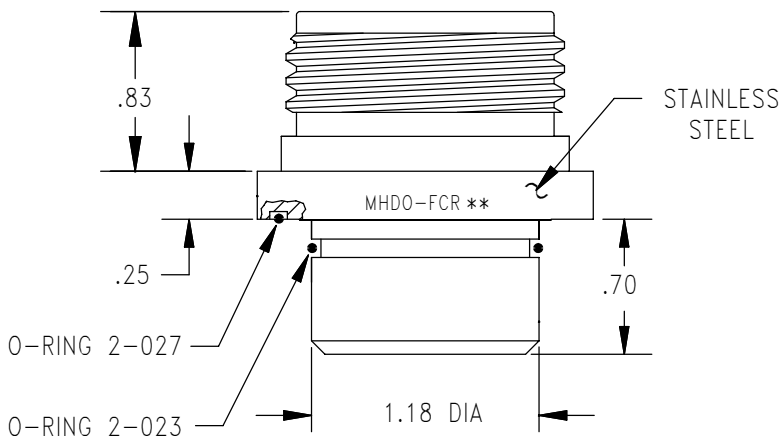
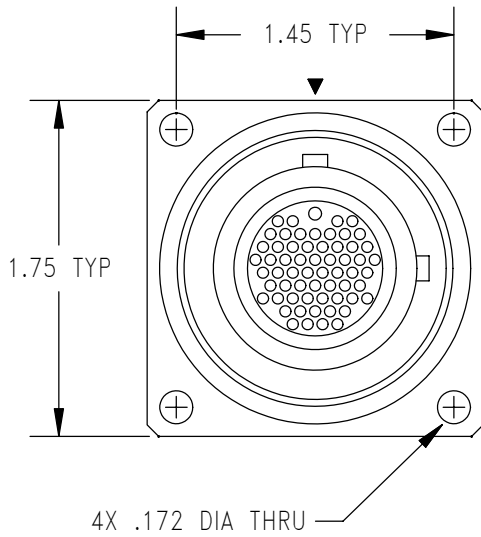


MOUNTING TORQUE FOR MHDL-BCR	not to exceed 200 in lbs	MATED PRESSURE RATING (psi)	5,000
DUMMY PLUG FOR MHDL-BCR/FCR/CCR	MHDL-SCP	DUMMY PLUG FOR MHDL-CCP	MHDL-SCR
<p>* Please specify number of contacts.                  ** Internal assembly same as MHDL-BCR (facing page).                  *** Blind tapped hole not to penetrate bulkhead, minimum full thread depth 2 times bolt diameter.                  **** O-Ring installation tool available - Contact factory for further details.</p>			

# MHDO-OF

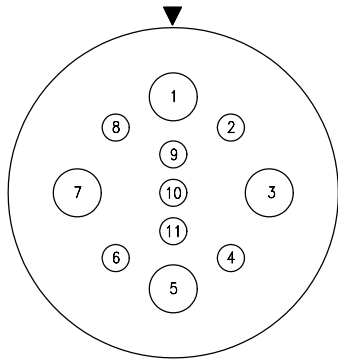
## MINIATURE HIGH DENSITY SERIES - OIL FILLED



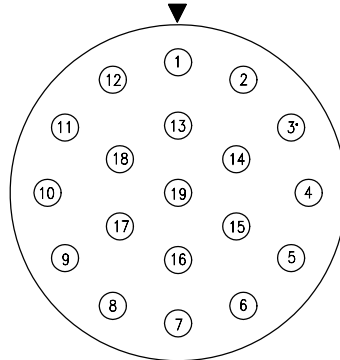


MOUNTING TORQUE FOR MHDO-BCR	not to exceed 200 in lbs	MATED PRESSURE RATING (psi)	5,000
DUMMY PLUG FOR MHDO-BCR/FCR/CCR	MHDO-SCP	DUMMY PLUG FOR MHDO-CCP	MHDO-SCR
<p>* Please specify number of contacts.</p> <p>** Internal assembly same as MHDO-BCR (facing page).</p> <p>*** Blind tapped hole not to penetrate bulkhead, minimum full thread depth 2 times bolt diameter.</p> <p>**** O-Ring installation tool available – Contact factory for further information.</p>			

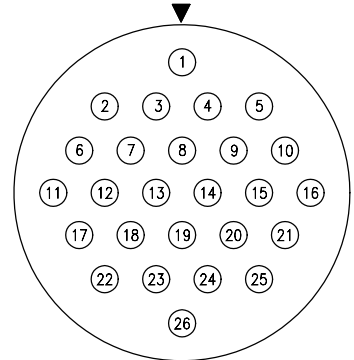
CONTACT  
CONFIGURATION  
(BCR FACE VIEW)



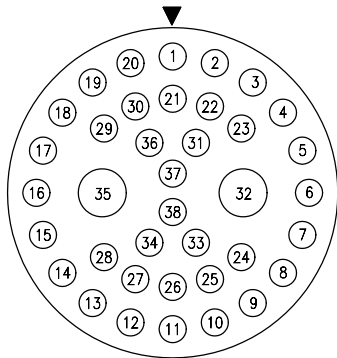
7#22  
4#10  
600VDC



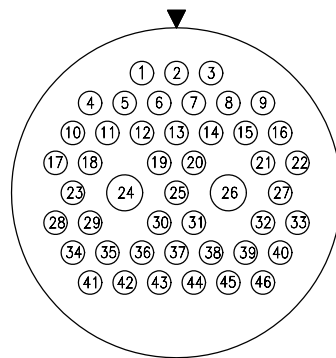
19#16  
600VDC



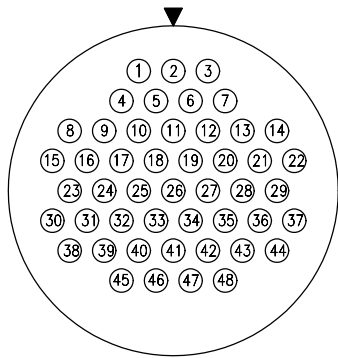
26#20  
450VDC



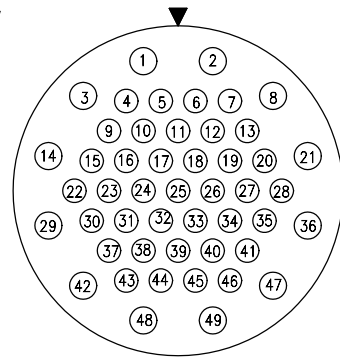
2#10  
36#22  
300VDC



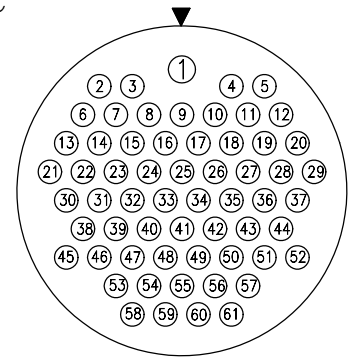
44#22  
2#16  
300VDC



48#22  
300VDC



12#20  
37#22  
300VDC



1#20  
60#22  
300VDC