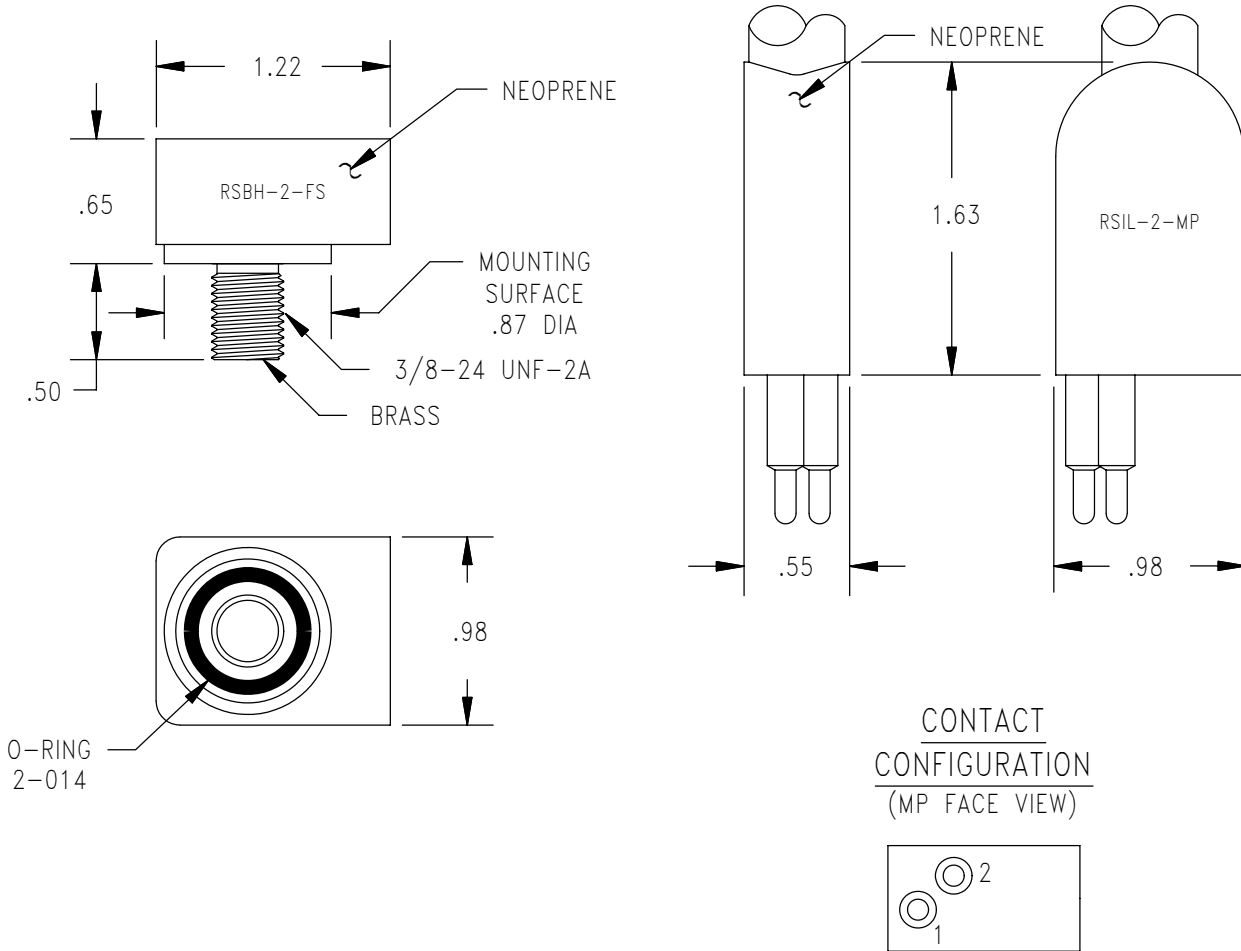


---

DESCRIPTION AND MATERIAL	<ul style="list-style-type: none"><li>• Molded neoprene.</li><li>• Up to 200 VDC.</li><li>• Up to 5,000 PSI.</li><li>• Bulkhead switch design open face pressure rated to 5000 PSI.</li><li>• Switches are normally open.</li></ul>
CABLE	<ul style="list-style-type: none"><li>• Connectors in this series are molded on a standard 24" length of SO cable.</li></ul>
USES	<ul style="list-style-type: none"><li>• Current meters.</li><li>• Safety devices.</li><li>• Device monitoring.</li><li>• Light to heavy duty applications.</li><li>• Hazardous environments.</li></ul>
GUIDELINES	<ul style="list-style-type: none"><li>• All mounting surfaces require a 32 finish.</li><li>• Lubricate mating surfaces of RSBH/RSIL with 3M Silicone Spray or equivalent, DO NOT grease! Connectors must be lubricated on a regular bases.</li><li>• Lubricate male pin of IE2M-7/16 liberally with Dow Corning #111 Valve Lubricant or equivalent and apply a small amount in the female socket. Connectors must be lubricated on a regular basis.</li><li>• Lubricate o-rings with Dow Corning #111 Valve Lubricant or equivalent.</li><li>• Avoid nicks and cuts around contacts as these are the sealing surfaces.</li><li>• Elastomers can be seriously degraded if exposed to direct sunlight or high ozone levels for extended periods of time.</li><li>• Do not over tighten bulkhead nuts.</li><li>• Do not pull on cable to disconnect.</li><li>• Avoid sharp bends at cable entry to connector.</li></ul>
ORDERING INFORMATION	<ul style="list-style-type: none"><li>• Bulkhead connectors do not come with nuts and washers. If required, please specify when ordering.</li></ul>



SWITCH RATINGS		CONNECTOR RATINGS	
CURRENT	0.5 A	MOUNTING TORQUE	not to exceed 100 in lbs
VOLTAGE	200VDC	MATED PRESSURE RATING (psi)	5,000
RESISTANCE	0.100 OHM	DUMMY PLUG FOR RSBH-2-FS	RSDC-2-MP
OPERATING TIME (MAX)	0.6 mS	DUMMY PLUG FOR RSIL-2-MP	RSDC-2-FS
RELEASE TIME (MAX)	0.1 mS		
NOTE: Bulkhead available in stainless steel. Standard 1/2" thread length. Bulkhead available with inboard leads + mating connector or inboard leads without mating connector.			