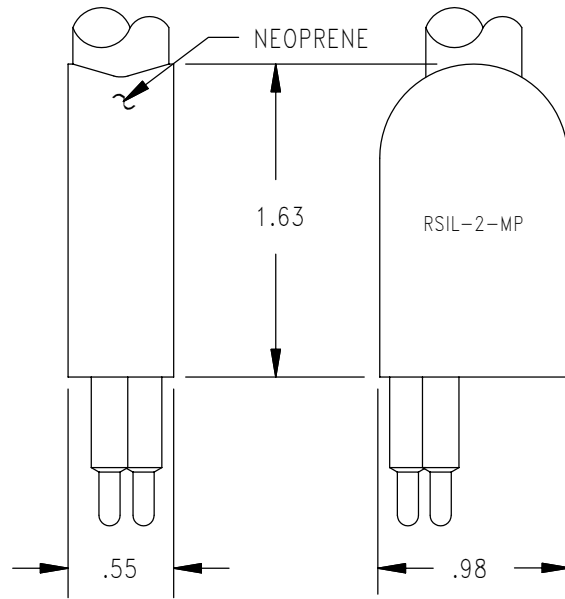
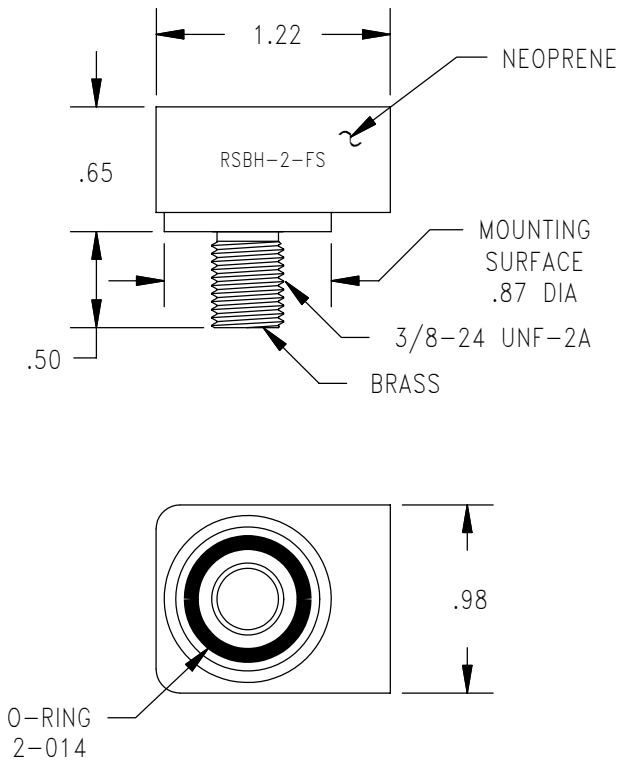
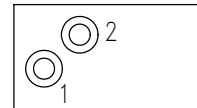
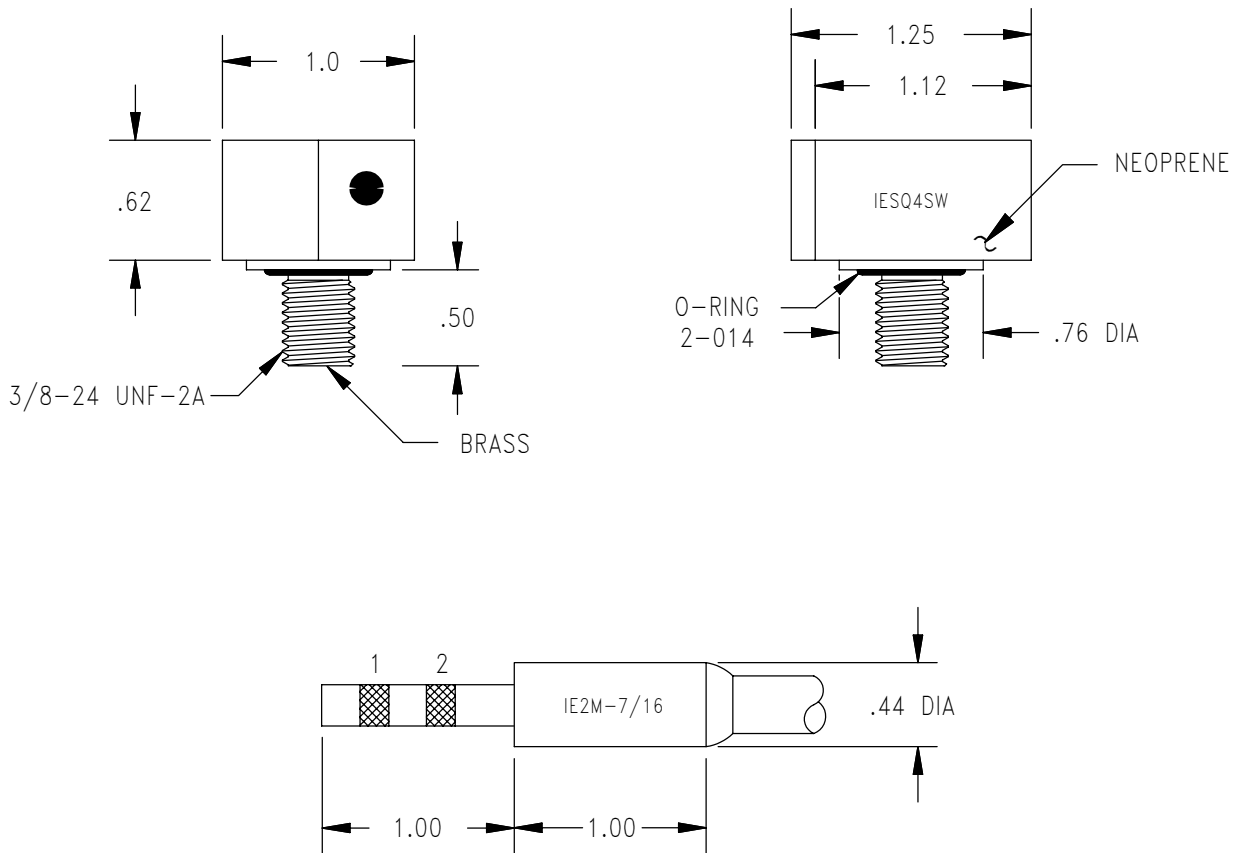

DESCRIPTION AND MATERIAL	<ul style="list-style-type: none">• Molded neoprene.• Up to 200 VDC.• Up to 5,000 PSI.• Bulkhead switch design open face pressure rated to 5000 PSI.• Switches are normally open.
CABLE	<ul style="list-style-type: none">• Connectors in this series are molded on a standard 24" length of SO cable.
USES	<ul style="list-style-type: none">• Current meters.• Safety devices.• Device monitoring.• Light to heavy duty applications.• Hazardous environments.
GUIDELINES	<ul style="list-style-type: none">• All mounting surfaces require a 32 finish.• Lubricate mating surfaces of RSBH/RSIL with 3M Silicone Spray or equivalent, DO NOT grease! Connectors must be lubricated on a regular bases.• Lubricate male pin of IE2M-7/16 liberally with Dow Corning #111 Valve Lubricant or equivalent and apply a small amount in the female socket. Connectors must be lubricated on a regular basis.• Lubricate o-rings with Dow Corning #111 Valve Lubricant or equivalent.• Avoid nicks and cuts around contacts as these are the sealing surfaces.• Elastomers can be seriously degraded if exposed to direct sunlight or high ozone levels for extended periods of time.• Do not over tighten bulkhead nuts.• Do not pull on cable to disconnect.• Avoid sharp bends at cable entry to connector.
ORDERING INFORMATION	<ul style="list-style-type: none">• Bulkhead connectors do not come with nuts and washers. If required, please specify when ordering.



CONTACT
CONFIGURATION
(MP FACE VIEW)



SWITCH RATINGS		CONNECTOR RATINGS	
CURRENT	0.5 A	MOUNTING TORQUE	not to exceed 100 in lbs
VOLTAGE	200VDC	MATED PRESSURE RATING (psi)	5,000
RESISTANCE	0.100 OHM	DUMMY PLUG FOR RSBH-2-FS	RSDC-2-MP
OPERATING TIME (MAX)	0.6 mS	DUMMY PLUG FOR RSIL-2-MP	RSDC-2-FS
RELEASE TIME (MAX)	0.1 mS		
NOTE: Bulkhead available in stainless steel. Standard 1/2" thread length. Bulkhead available with inboard leads + mating connector or inboard leads without mating connector.			



SWITCH RATINGS		CONNECTOR RATINGS	
CURRENT	0.5 A	MOUNTING TORQUE	not to exceed 100 in lbs
VOLTAGE	200VDC	MATED PRESSURE RATING (psi)	5,000
RESISTANCE	0.100 OHM	DUMMY PLUG FOR IESQ4SW	IE2M-7/16-DO*
OPERATING TIME (MAX)	0.6 mS	DUMMY PLUG FOR IE2M-7/16	IE2F-7/16-DO*
RELEASE TIME (MAX)	0.1 mS		
NOTE: Bulkhead available in stainless steel. Standard 1/2" thread length. Bulkhead available with inboard leads + mating connector or inboard leads without mating connector. * Shorted dummies (DS) available upon request.			