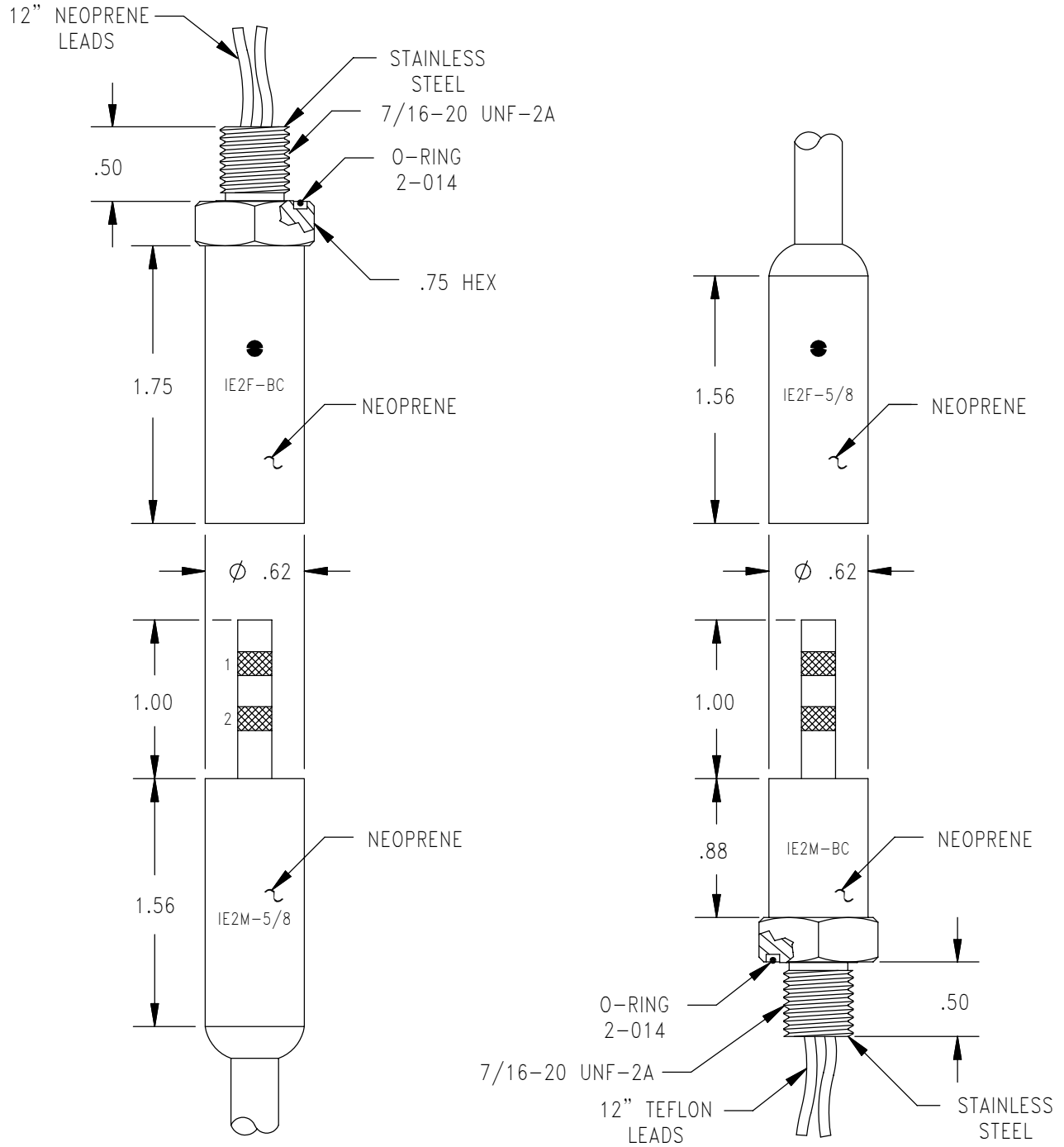


-
- DESCRIPTION AND MATERIAL
- Molded neoprene with improved sealing ability.
 - Two to eight contacts.
 - Up to 300 VDC.
 - Rated to 10,000 psi, contact factory for higher rating.
 - Bulkhead connector design open face pressure rated to 5000 PSI.
 - O-rings molded in female connector.
- CABLE
- Connectors in this series are molded on a 24” length of 18 AWG SO cable (2 contact on SJO) unless otherwise specified.
 - Bulkhead connectors have 12” teflon leads, Type E per MIL 16878/4 18 AWG, or 12” Belden 34918 leads (Neoprene jacket).
- USES
- Mates with other manufacturers connectors of same design.
 - Permits underwater plugging and unplugging with power off.
 - Light to heavy duty applications.
 - Hazardous environments.
- GUIDELINES
- All mounting surfaces require a 32 finish.
 - Lubricate male pins liberally with Dow Corning #111 Valve Lubricant or equivalent and apply a small amount in each hole of female socket. Connectors must be lubricated on a regular basis.
 - Lubricate o-rings with Dow Corning #111 Valve Lubricant or equivalent.
 - Replace o-rings when re-using connectors.
 - Align index pin prior to mating.
 - Avoid nicks and cuts around contacts as these are the sealing surfaces.
 - Elastomers can be seriously degraded if exposed to direct sunlight or high ozone levels for extended periods of time.
 - Do not over tighten bulkhead nuts.
 - Do not pull on cable to disconnect.
 - Avoid sharp bends at cable entry to connector.

IE2-BC

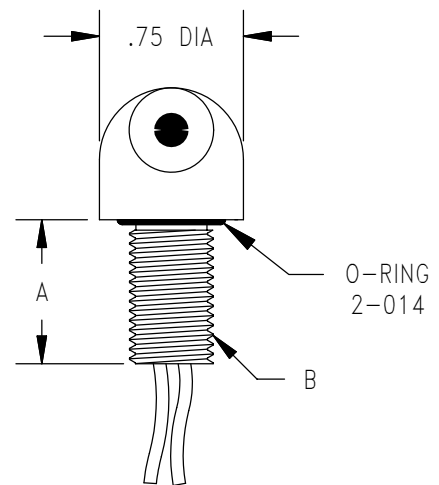
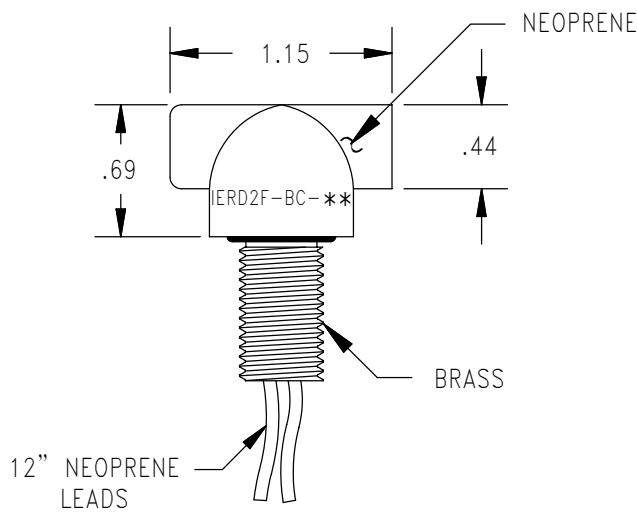
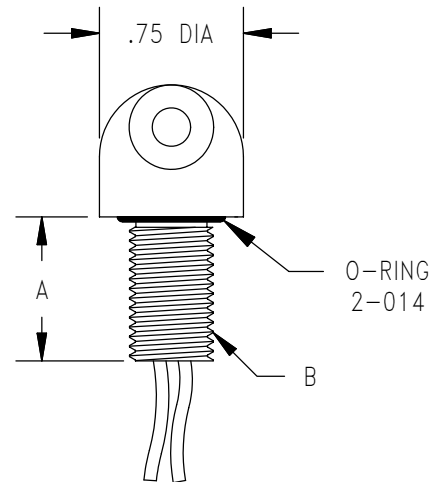
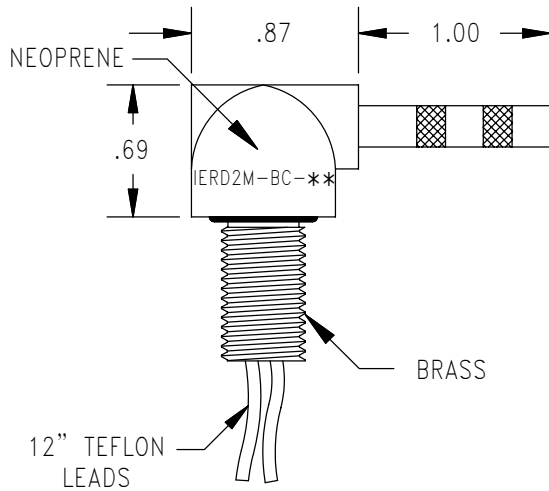
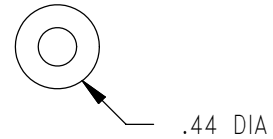
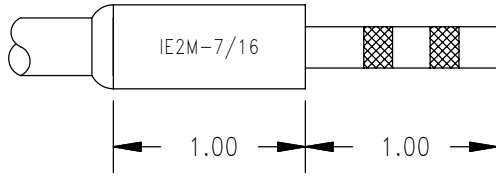
IE UNDERWATER PLUGGABLE



MOUNTING TORQUE FOR BC	not to exceed 100 in lbs
MATED PRESSURE RATING (psi)	10,000
DUMMY PLUG FOR IE2M-5/8, IE2M-BC	IE2F-5/8-DO *
DUMMY PLUG FOR IE2F-BC, IE2F-5/8	IE2M-5/8-DO *
* Dummy plugs found on Page 75 62.	
* Shorted dummies (DS) available upon request.	

IERD2-BC

IE UNDERWATER
PLUGGABLE



MOUNTING TORQUE FOR BC	not to exceed 100 in lbs
MATED PRESSURE RATING (psi)	10,000
DUMMY PLUG FOR IERD2F-BC	IE2M-7/16-DO *
DUMMY PLUG FOR IERD2M-BC	IE2F-5/8 DO *
<p>* Dummy plugs found on Page 75 62. ** Shorted dummies (DS) available upon request. *** See chart for thread specifications. **** Specify M/F</p>	

PART NUMBER	B	A
IERD2****-BC-1	3/8-24 UNF-2A	.50
IERD2****-BC-2	3/8-24 UNF-2A	.75
IERD2****-BC-3	3/8-24 UNF-2A	1.00
IERD2****-BC-4	7/16-20 UNF-2A	.50
IERD2****-BC-5	7/16-20 UNF-2A	.75
IERD2****-BC-6	7/16-20 UNF-2A	1.00