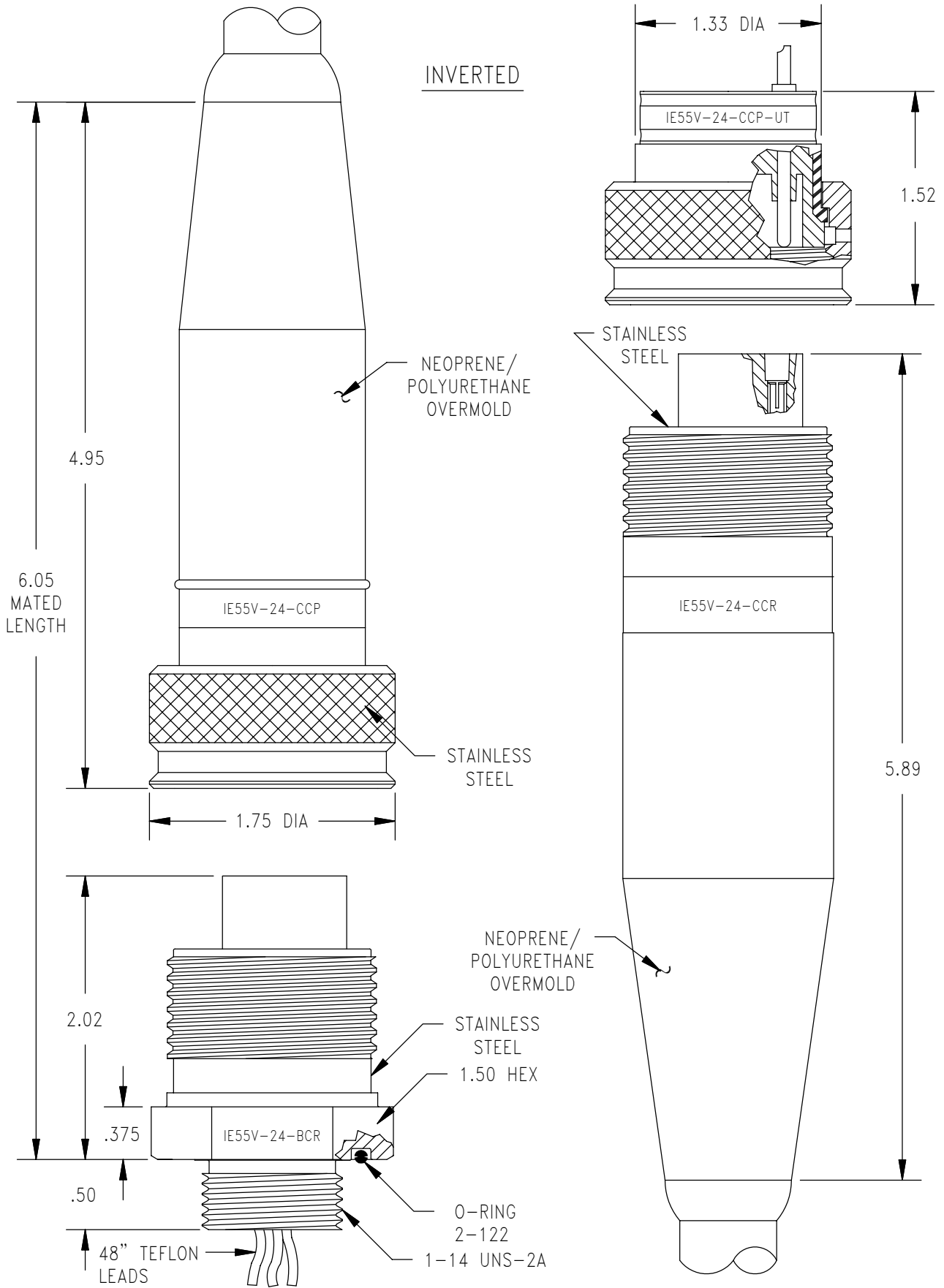


- 
- DESCRIPTION AND MATERIAL
- Body and engaging nut are 316 Stainless Steel, passivated per QQ-P-35 Type VI.
  - To 10,000 PSI in mated condition.
  - Bulkhead connector design open face pressure rated to 5,000 PSI.
  - Contacts gold plated per MIL-G-45204.
  - Engaging nuts have Acme threads for rugged applications and a quick connection.
  - Working voltage – 850 VDC (Contact factory for high voltage applications.)
  - Bulkhead has sockets, cable connector plug has pins.
- CABLE
- CCP, CCP-R/A and CCR are molded on standard 24” 16 AWG SO cable.
  - Other cable options available at customer’s request.
  - BCR/FCR on standard 48” teflon leads, Type E per MIL 16878/4 16 AWG.
  - Un-Terminated versions of CCP available.
- USES
- Heavy Duty applications.
  - Hazardous environment.
  - Power Transmission.
  - Signal Telemetry.
  - ROV applications.
- GUIDELINES
- All mounting and sealing surfaces require a 32 finish.
  - Lubricate mating surfaces with 3M Silicone spray or equivalent, DO NOT grease! Connectors must be lubricated on a regular basis.
  - Lubricate o-rings with Dow Corning #111 Valve Lubricant or equivalent.
  - Use Dust Caps and keep connectors clean to prevent damage in storage and service.
  - Keep o-ring grooves clean and avoid cuts, nicks and tears on rubber surfaces.
  - Elastomers can be seriously degraded if exposed to direct sunlight or high ozone levels for extended periods of time.
  - Clean plugs and receptacles with soap and fresh water. Rinse out with alcohol, allowing connector to air dry.
  - Replace o-rings when re-using connectors.

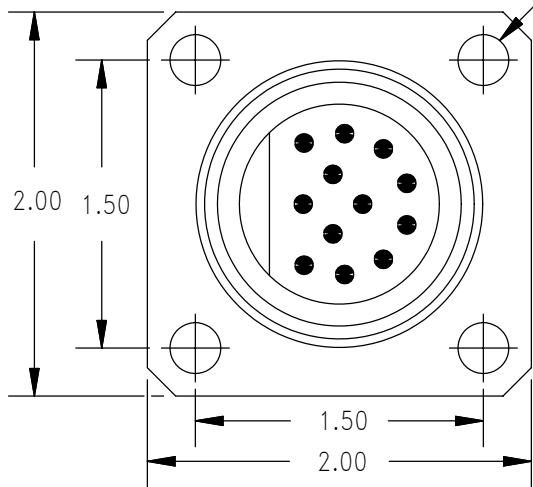
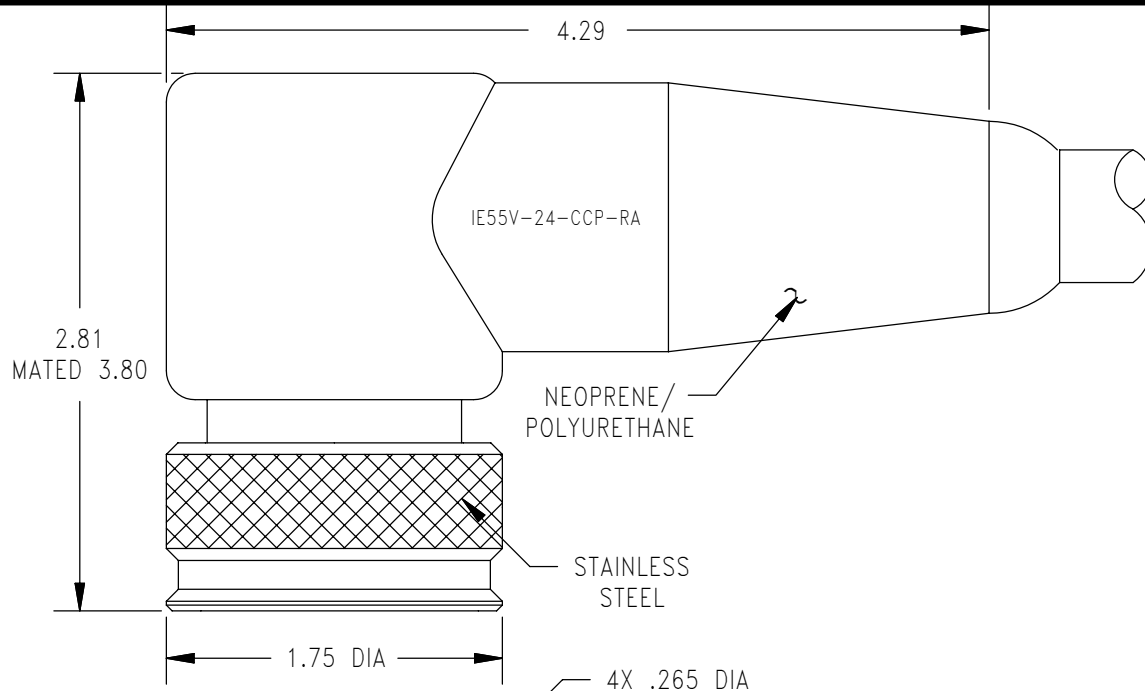
# IE55V-24

## IE55V INVERTED RUBBER MOLDED METAL SHELL SERIES

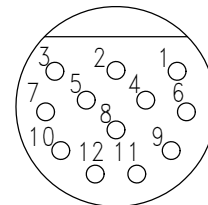


# IE55V-24

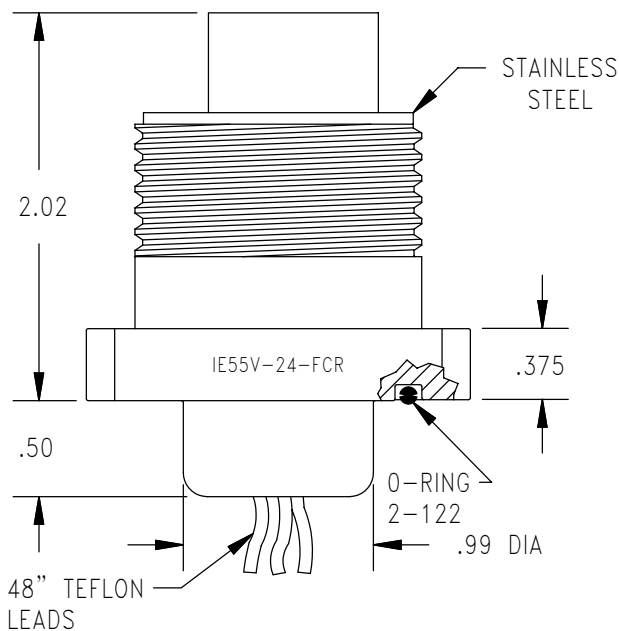
## IE55V INVERTED RUBBER MOLDED METAL SHELL SERIES



CONTACT  
CONFIGURATION  
(BCR FACE VIEW)



12#14



MATED PRESSURE RATING (psi)	10,000
MOUNTING TORQUE FOR BCR	not to exceed 225 in lbs
DUMMY PLUG FOR BCR, FCR, CCR	IE55V-2412-SCP
DUMMY PLUG FOR CCP	IE55V-2412-SCR