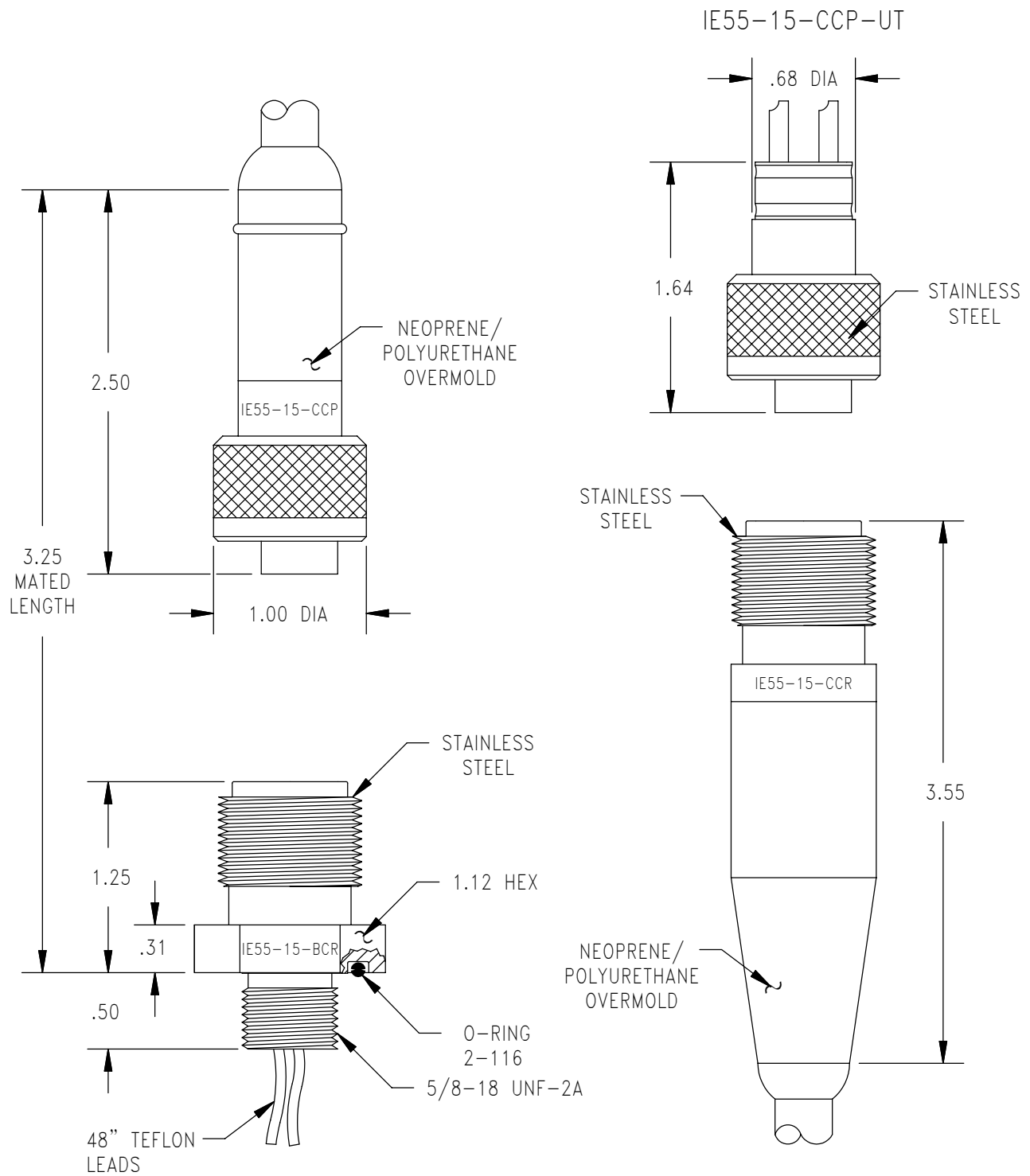
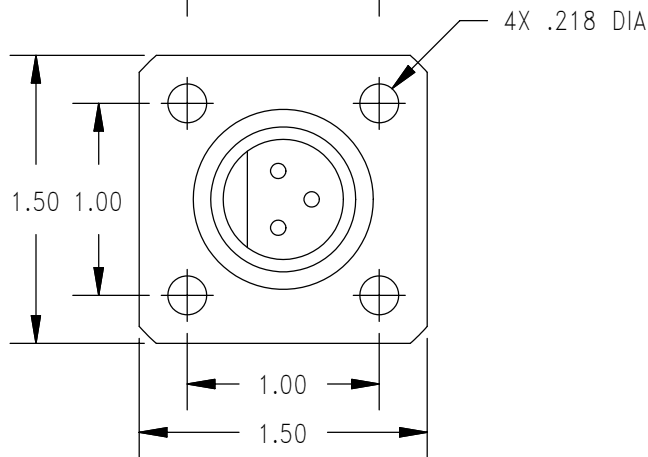
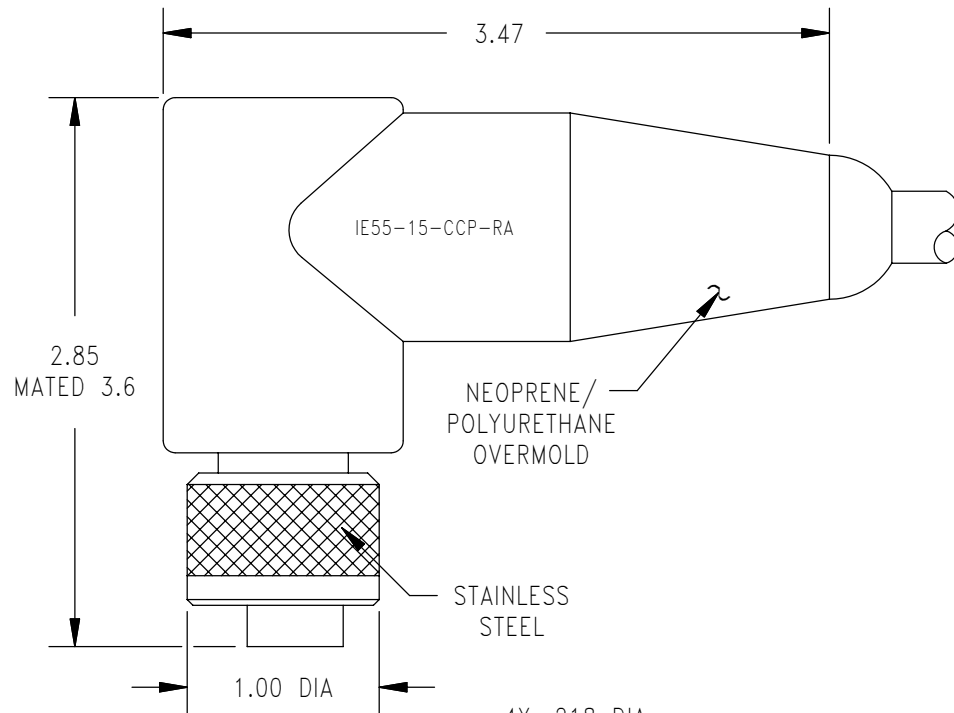


DESCRIPTION AND MATERIAL	<ul style="list-style-type: none"> <li>• Body and engaging nut are 316 Stainless Steel, passivated per QQ-P-35 Type VI.</li> <li>• To 10,000 PSI in mated condition.</li> <li>• Bulkhead connector design open face pressure rated to 5000 PSI.</li> <li>• Contacts gold plated per MIL-G-45204.</li> <li>• Engaging nuts have Acme threads for rugged applications and for quick connection (shell size 15 has standard V thread).</li> <li>• Working voltage – 850 VDC (contact factory for high voltage applications).</li> </ul>
CABLE	<ul style="list-style-type: none"> <li>• CCP, CCP-R/A and CCR are molded on standard 24” length of 16 AWG SO cable. IE55-1508 is molded on a standard 24” length of 18 AWG SO cable.</li> <li>• Other cable options available at customer’s request.</li> <li>• BCR/FCR have 48” teflon leads, Type E per MIL 16878/4 16 AWG.</li> <li>• Un-Terminated versions of CCP available.</li> </ul>
USES	<ul style="list-style-type: none"> <li>• Heavy Duty applications.</li> <li>• Hazardous environment.</li> <li>• Power Transmission.</li> <li>• Signal Telemetry.</li> <li>• ROV applications.</li> </ul>
GUIDELINES	<ul style="list-style-type: none"> <li>• All mounting and sealing surfaces require a 32 finish.</li> <li>• Lubricate mating surfaces with 3M Silicone Spray or equivalent, DO NOT GREASE! Connectors must be lubricated on a regular basis.</li> <li>• Lubricate o-rings with Dow Corning #111 Valve Lubricant or equivalent.</li> <li>• Use Dust Caps and keep connectors clean to prevent damage in storage and service.</li> <li>• Keep o-ring grooves clean and avoid cuts, nicks and tears on rubber surfaces.</li> <li>• Elastomers can be seriously degraded if exposed to direct sunlight or high ozone levels for extended periods of time.</li> <li>• Clean plugs and receptacles with soap and fresh water. Rinse out with alcohol, allowing connector to air dry.</li> <li>• Replace o-rings when re-using connectors.</li> </ul>
NOTE	<ul style="list-style-type: none"> <li>• Also available as inverted series, see following section.</li> </ul>
Specifications for: SUBMINIATURE CONNECTOR (Bulletin 70 03/06)	<ul style="list-style-type: none"> <li>• Body and engaging nut are 6AL-4V Titanium. Engaging nut is Tiodized<sup>®</sup> per AMS 2488 TYPE II.</li> <li>• Working voltage – 300 VDC.</li> <li>• IE55-1204/06-CCP, CCP-R/A and CCR are molded on standard 24” 22 AWG polyurethane jacketed cable. IE55W-1002/03-CCP, CCP-R/A and CCR are molded on standard 24” 20 AWG Belden cable.</li> <li>• IE55-1204/06-BCR are molded on standard 6” Teflon lead, Type E per MIL16878/4, 24 AWG. IE55W-1002/03-BCR are molded on standard 6” Teflon lead, Type E per MIL 16878/4, 22 AWG.</li> <li>• Mainly used on small sensor packages.</li> <li>• Light duty applications only.</li> </ul>

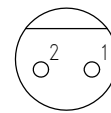


# IE55-15

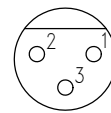
## IE55 RUBBER MOLDED METAL SHELL SERIES



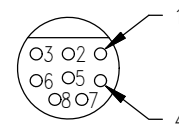
### CONTACT CONFIGURATION (BCR FACE VIEWS)



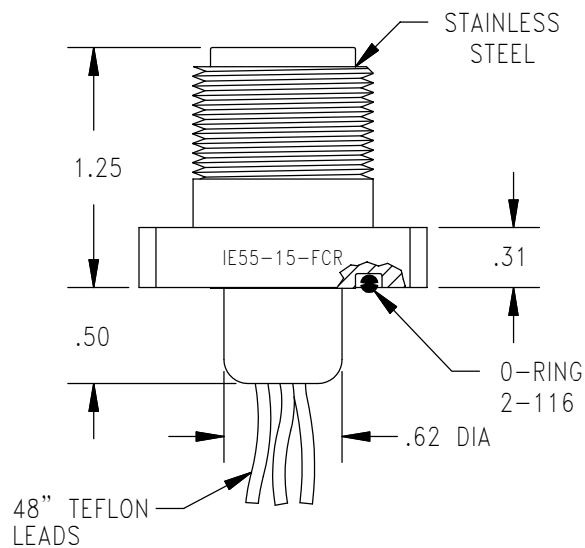
2#14



3#14



8#16



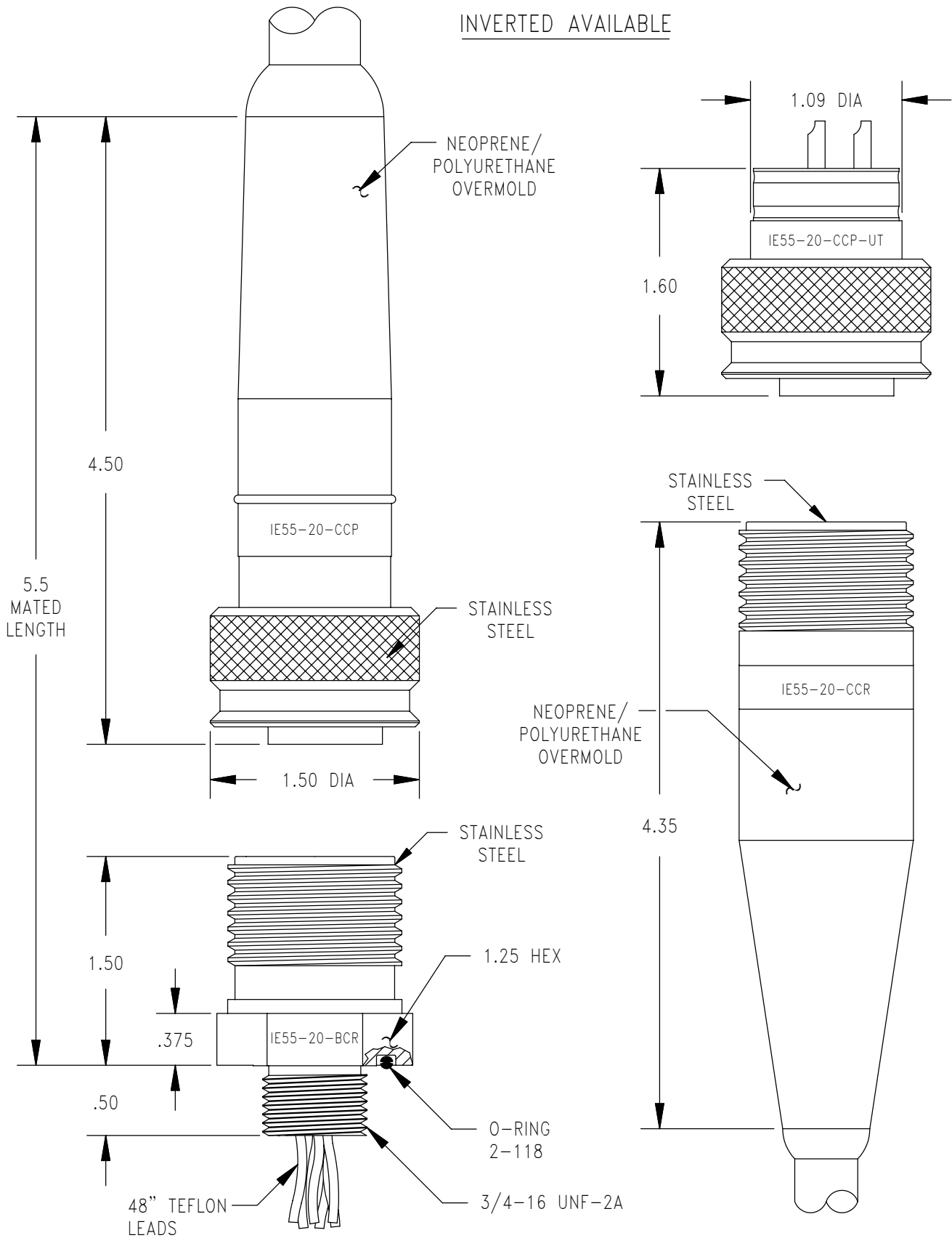
MATED PRESSURE RATING (psi)	10,000
MOUNTING TORQUE FOR BCR	not to exceed 125 in lbs
DUMMY PLUG FOR BCR, FCR, CCR	IE55-15*-SCP
DUMMY PLUG FOR CCP	IE55-15*-SCR
* Specify number of contacts.	

# IE55-20

## IE55 RUBBER MOLDED METAL SHELL SERIES

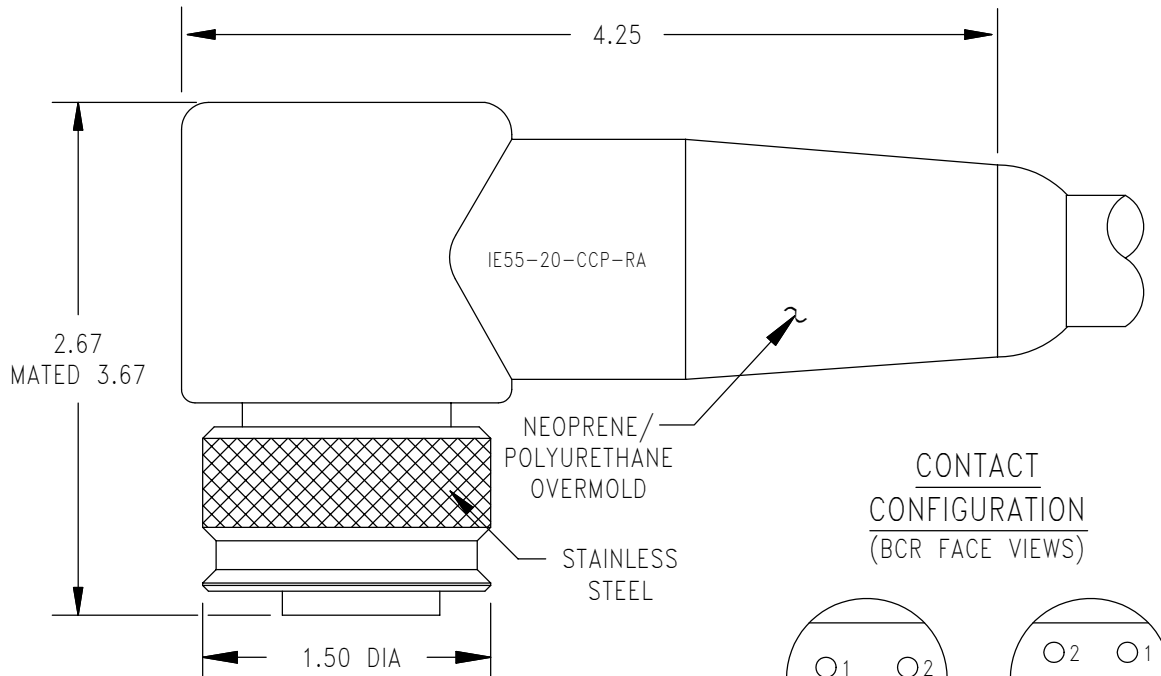


INVERTED AVAILABLE

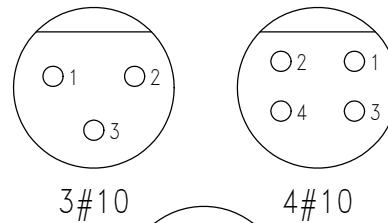


# IE55-20

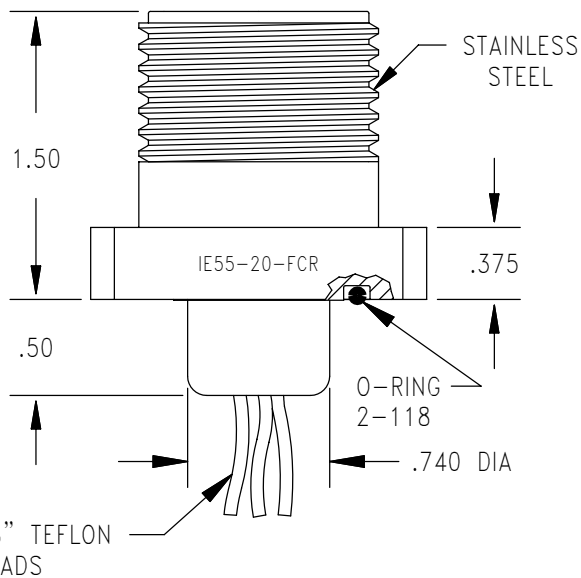
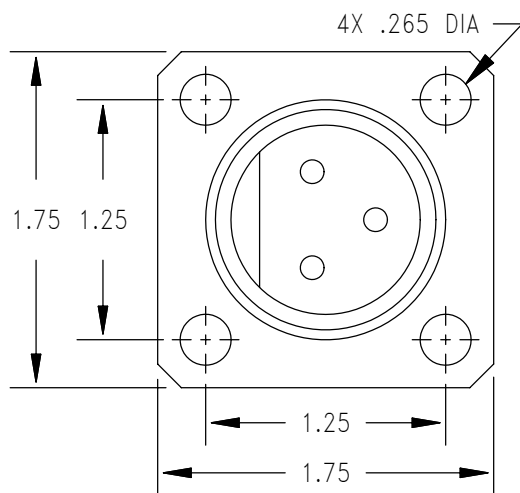
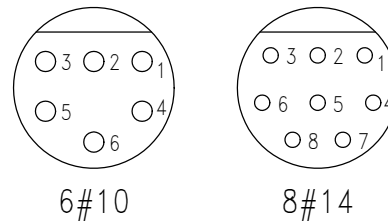
## IE55 RUBBER MOLDED METAL SHELL SERIES



### CONTACT CONFIGURATION (BCR FACE VIEWS)



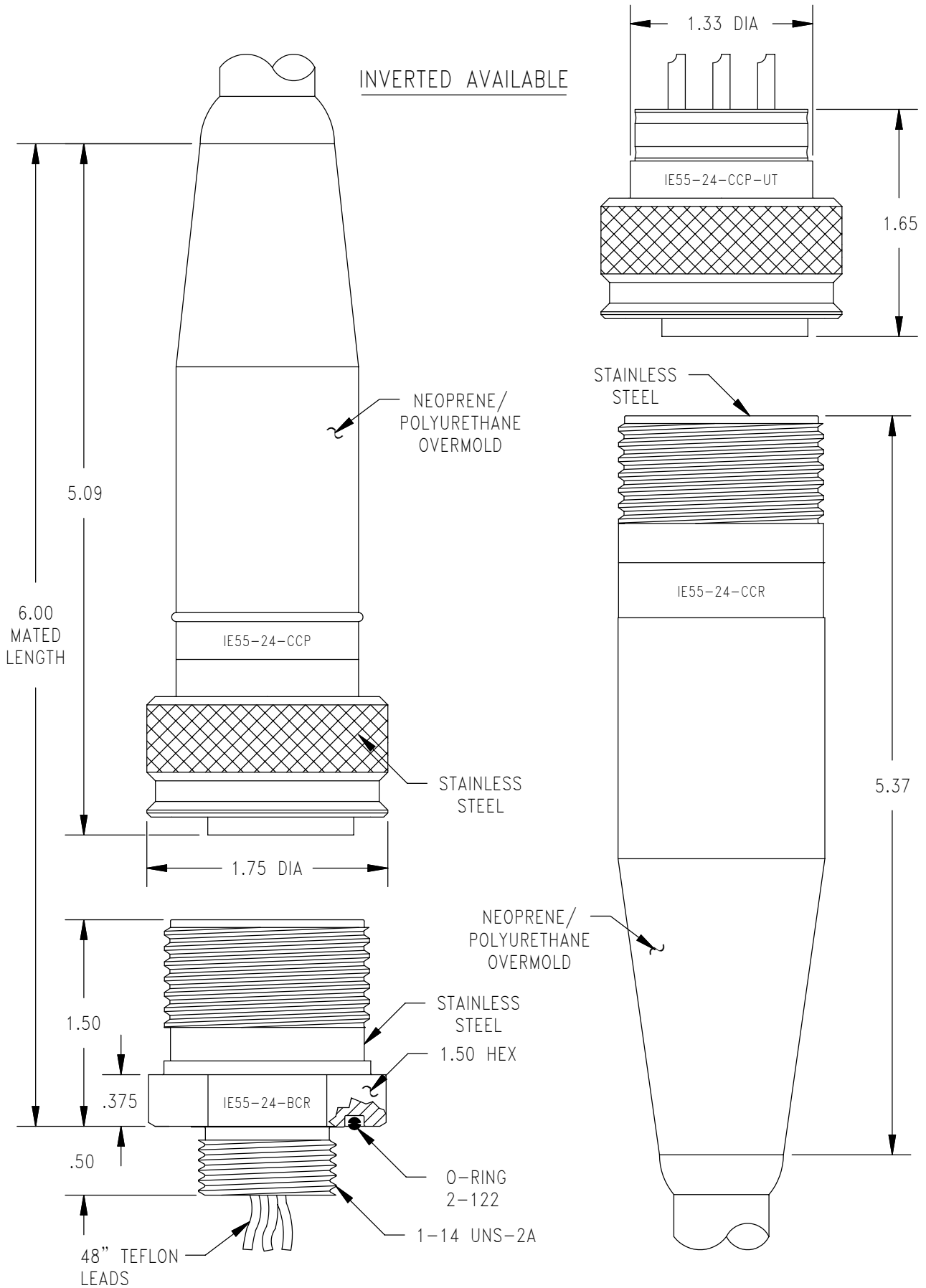
### 1#8 / 3#10 (High Voltage)



MATED PRESSURE RATING (psi)	10,000
MOUNTING TORQUE FOR BCR	not to exceed 165 in lbs
DUMMY PLUG FOR BCR, FCR, CCR	IE55-20*-SCP
DUMMY PLUG FOR CCP	IE55-20*-SCR
* Specify number of contacts. ** Available in high voltage	

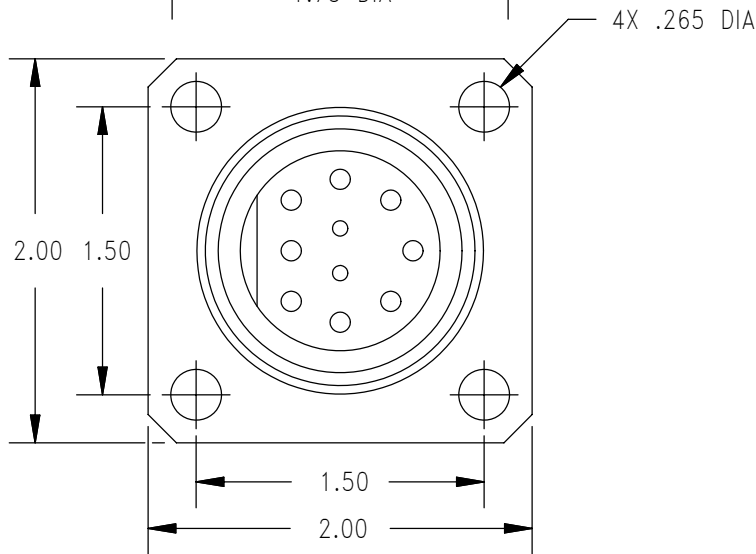
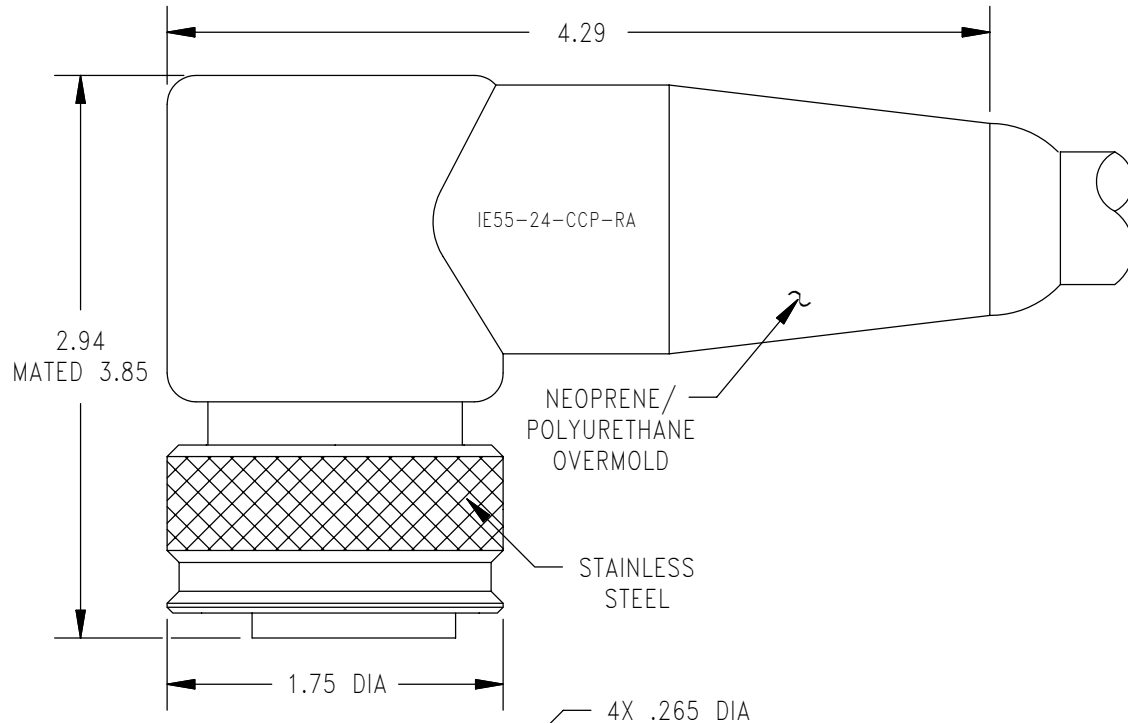
# IE55-24

## IE55 RUBBER MOLDED METAL SHELL SERIES

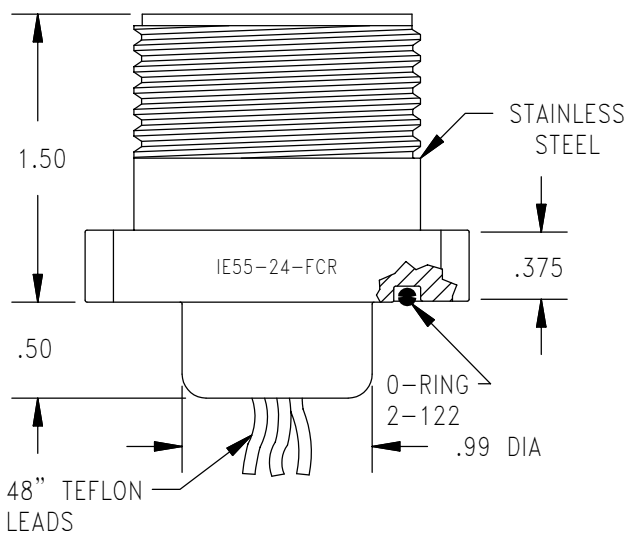
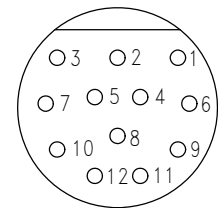
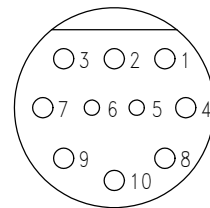


# IE55-24

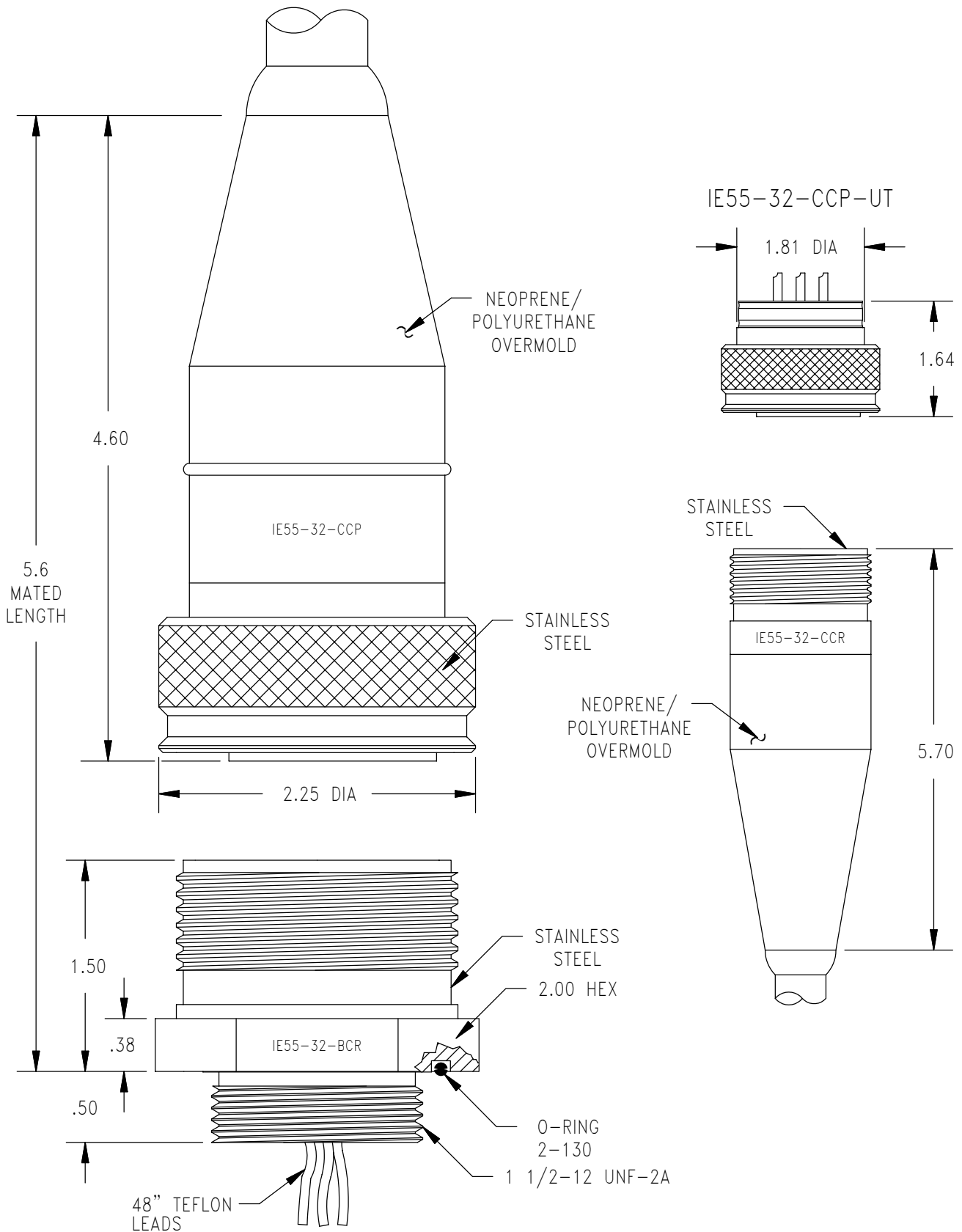
## IE55 RUBBER MOLDED METAL SHELL SERIES



### CONTACT CONFIGURATION (BCR FACE VIEWS)

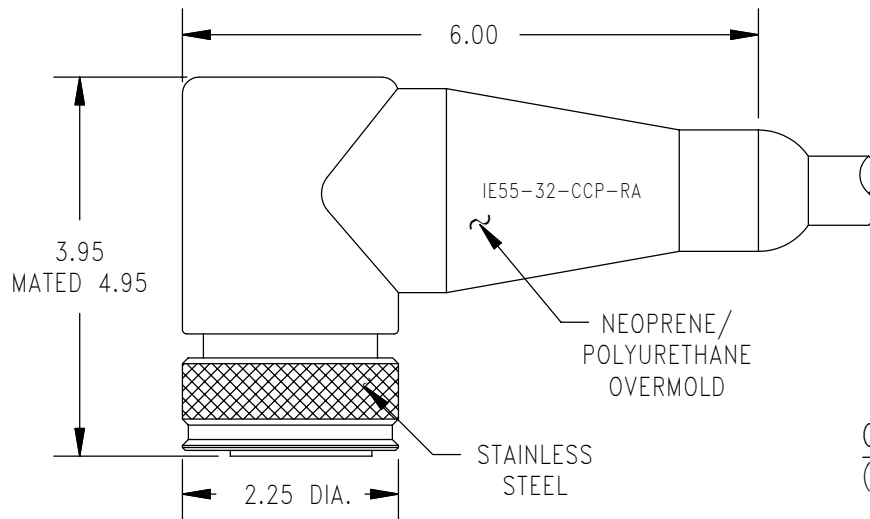


MATED PRESSURE RATING (psi)	10,000
MOUNTING TORQUE FOR BCR	not to exceed 225 in lbs
DUMMY PLUG FOR BCR, FCR, CCR	IE55-24*-SCP
DUMMY PLUG FOR CCP	IE55-24*-SCR
* Specify number of contacts.	

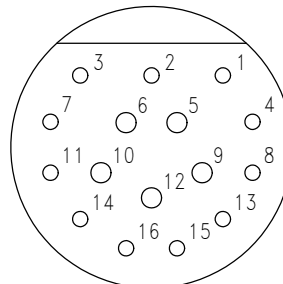
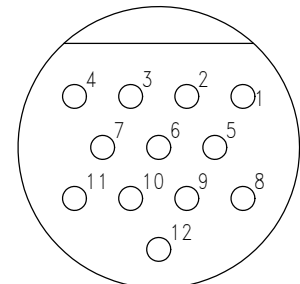
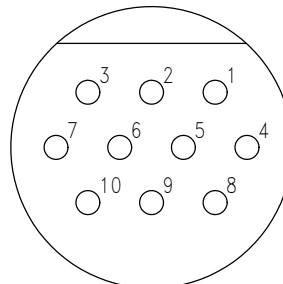
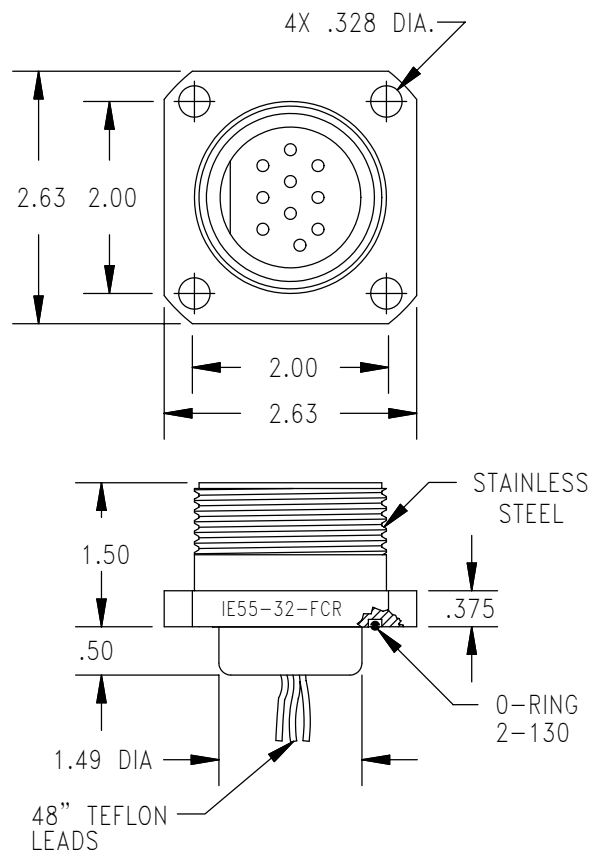


# IE55-32

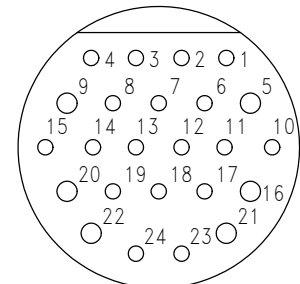
## IE55 RUBBER MOLDED METAL SHELL SERIES



### CONTACT CONFIGURATION (BCR FACE VIEWS)



11#14



18#14

MATED PRESSURE RATING (psi)	10,000
MOUNTING TORQUE FOR BCR	not to exceed 335 in lbs
DUMMY PLUG FOR BCR, FCR, CCR	IE55-32*-SCP
DUMMY PLUG FOR CCP	IE55-32*-SCR
* Specify number of contacts.	