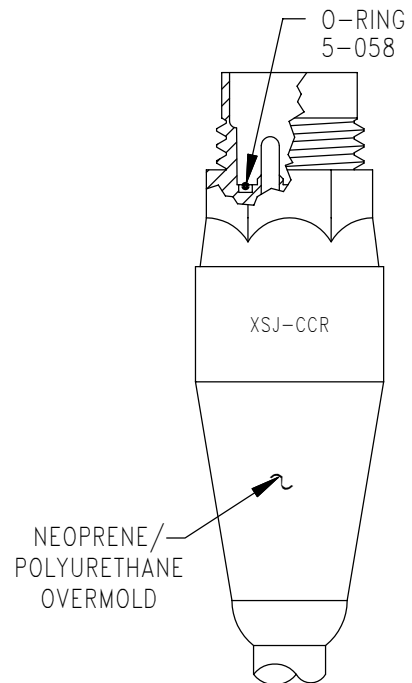
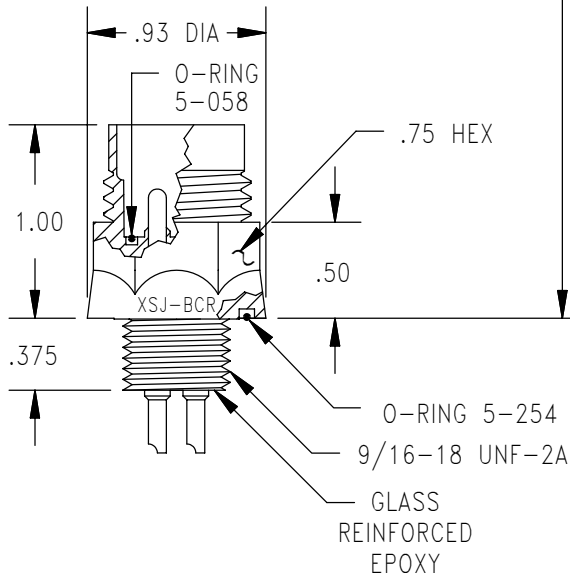
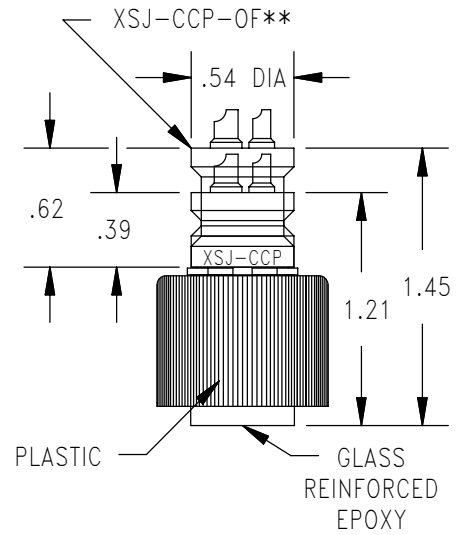
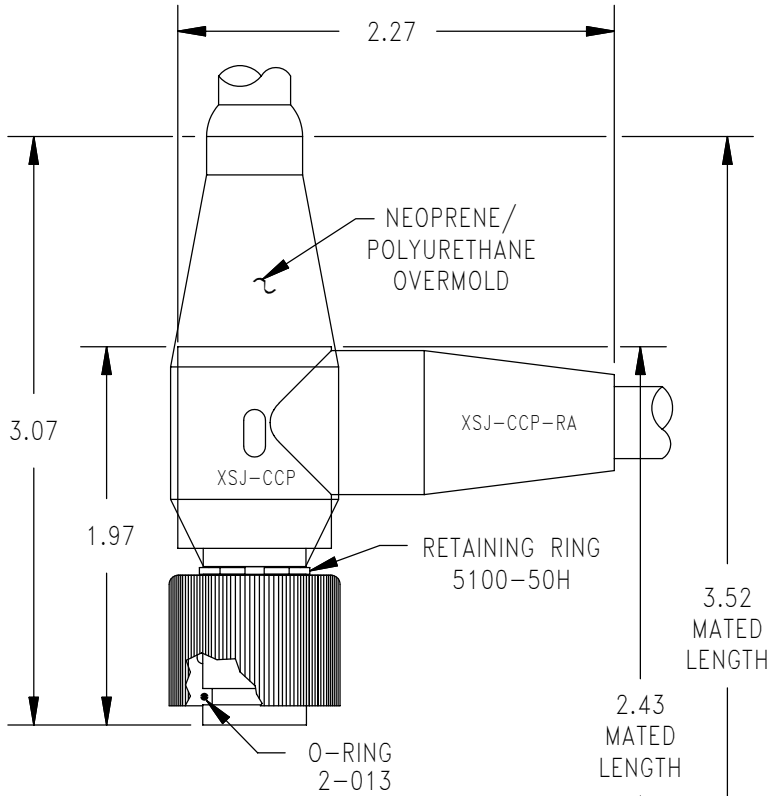
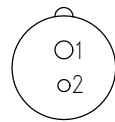


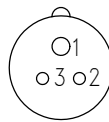
-
- DESCRIPTION AND MATERIAL
- Molded glass reinforced epoxy.
 - One to 36 contacts.
 - 200 VDC to 600 VDC (higher voltage ratings available upon request).
 - Up to 20,000 PSI in mated condition.
 - Bulkhead connector design open face pressure rated to 5000 psi.
 - Contacts gold plated per MIL-G-45204.
 - XS-CCR/CCP connectors can be overmolded with polyurethane or neoprene.
 - Conductor insulation and jacket material of specified cable determines overmold material.
- CABLE
- Connector's amperage and voltage may be limited by amperage and voltage rating of cable to which connector is molded.
 - This series is not molded to cable unless specified at the time of order.
- USES
- Medium duty applications.
 - Hazardous environment.
 - Power transmission.
 - Signal telemetry.
 - CCR used in a variety of environments where cable to cable connection is necessary.
- GUIDELINES
- All mounting surfaces require a 32 finish.
 - Do not exceed mounting torque specifications.
 - Align indexes.
 - Use in areas not subject to high impact to avoid chipping and cracking.
 - Keep o-ring grooves clean.
 - Avoid o-ring cuts and nicks.
 - Lubricate o-rings with Dow Corning #111 Valve Lubricant or equivalent.
 - Replace o-rings when re-using connectors.
 - Avoid contact with noxious solvents.
 - Elastomers can be seriously degraded if exposed to direct sunlight or high ozone levels for extended periods of time.



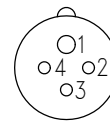
CONTACT
CONFIGURATION
(BCR FACE VIEWS)



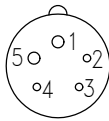
1#14
1#16
600 VDC



1#14
2#16
600 VDC



1#14
3#16
300 VDC



2#16
3#20
300 VDC



1#16
6#20
300 VDC

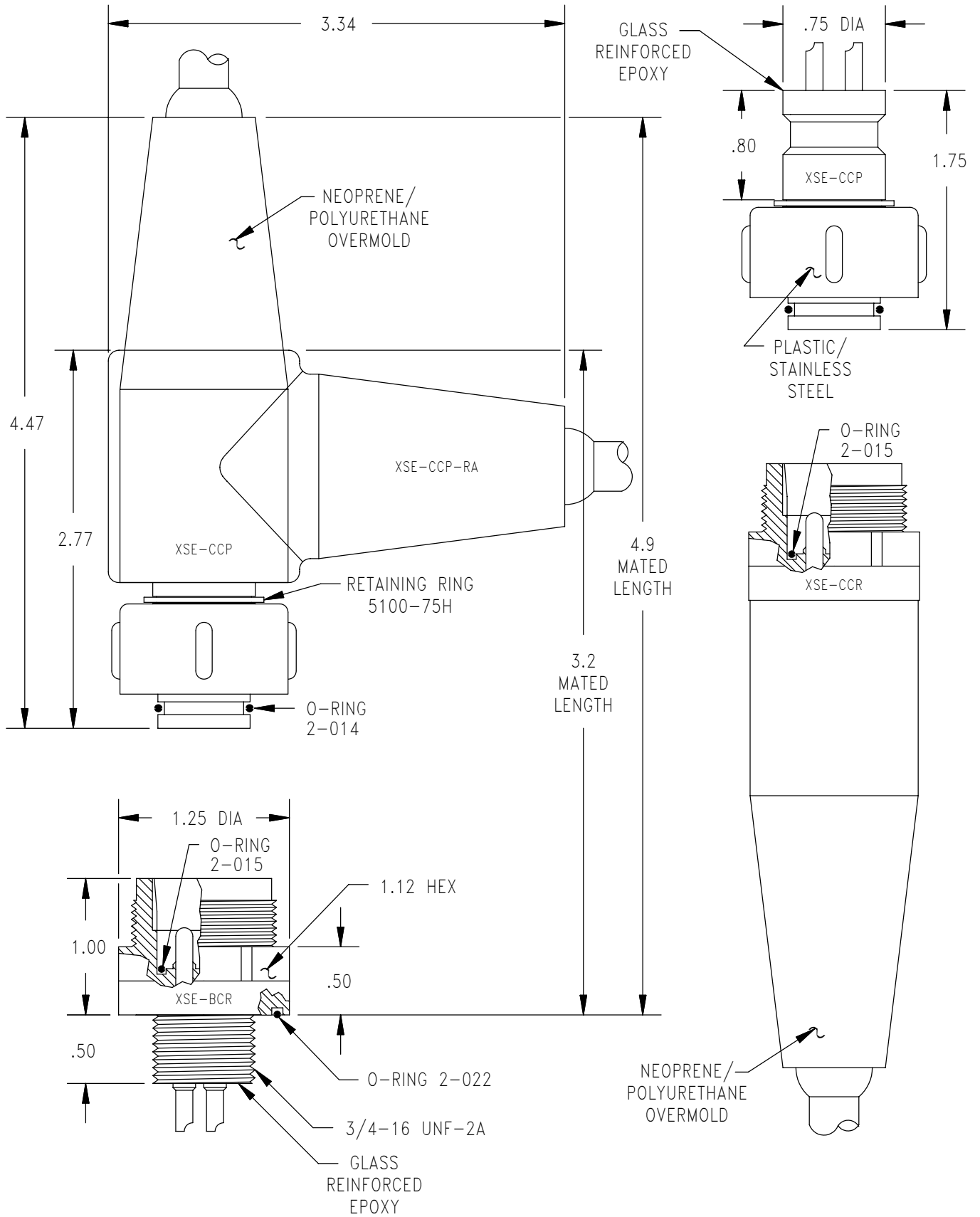


1#14
8#20
300 VDC

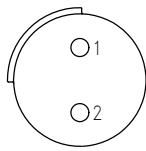


10#20
300 VDC

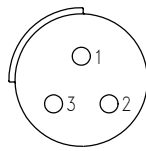
MOUNTING TORQUE FOR XSJ-BCR	not to exceed 20 in lbs	MATED PRESSURE RATING (psi)	10,000
DUMMY PLUG FOR XSJ-BCR/CCR	XSJ-*--SCP	DUMMY PLUG FOR XSJ-CCP	XSJ-SCR
<p>NOTE: CCP/CCR are not terminated to cable unless specified. * Please specify number of contacts. ** Extended backshell for Oil Filled assemblies.</p>			



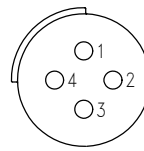
CONTACT
CONFIGURATION
(BCR FACE VIEWS)



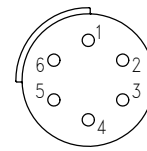
2#14
800 VDC



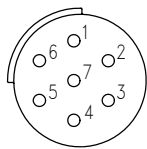
3#14
700 VDC



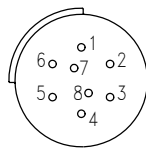
4#14
600 VDC



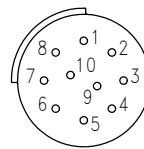
6#16
500 VDC



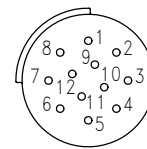
7#16
500 VDC



8#20
400 VDC

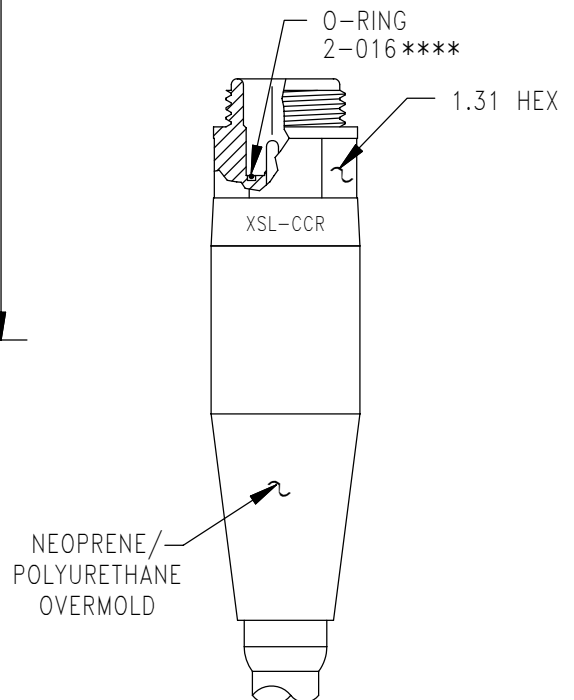
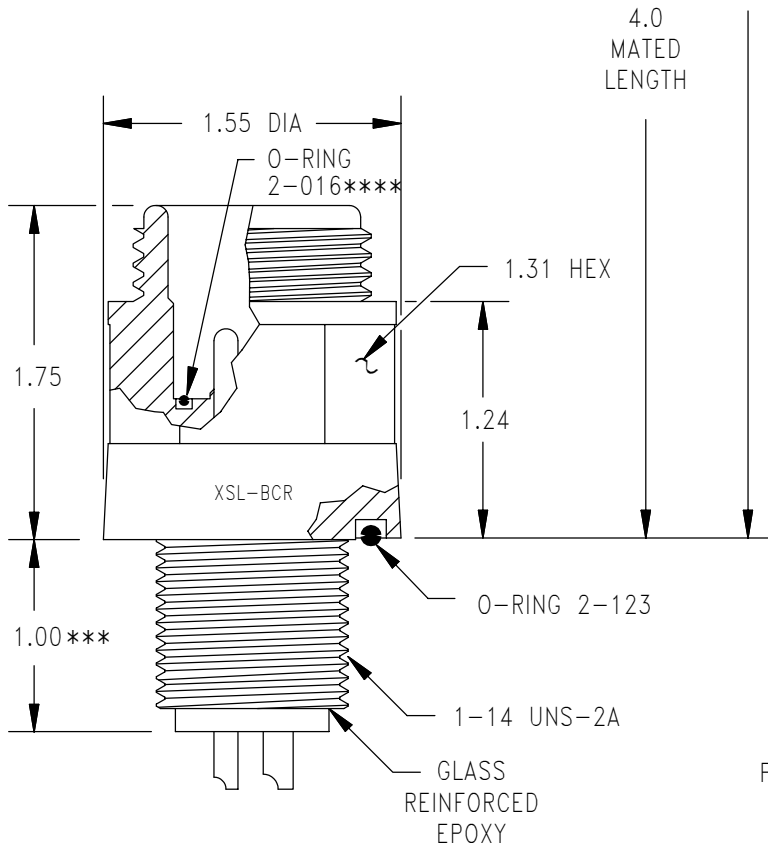
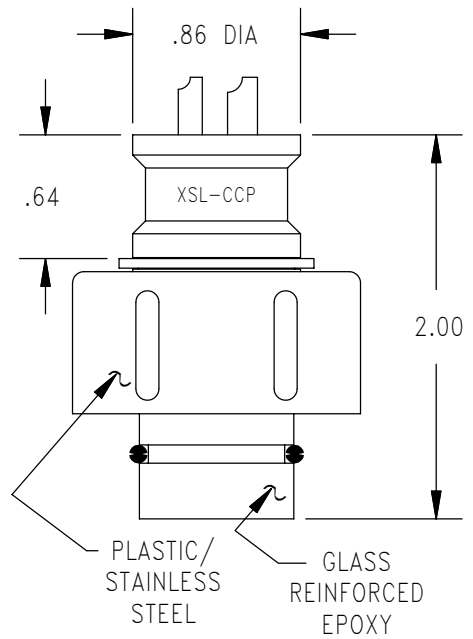
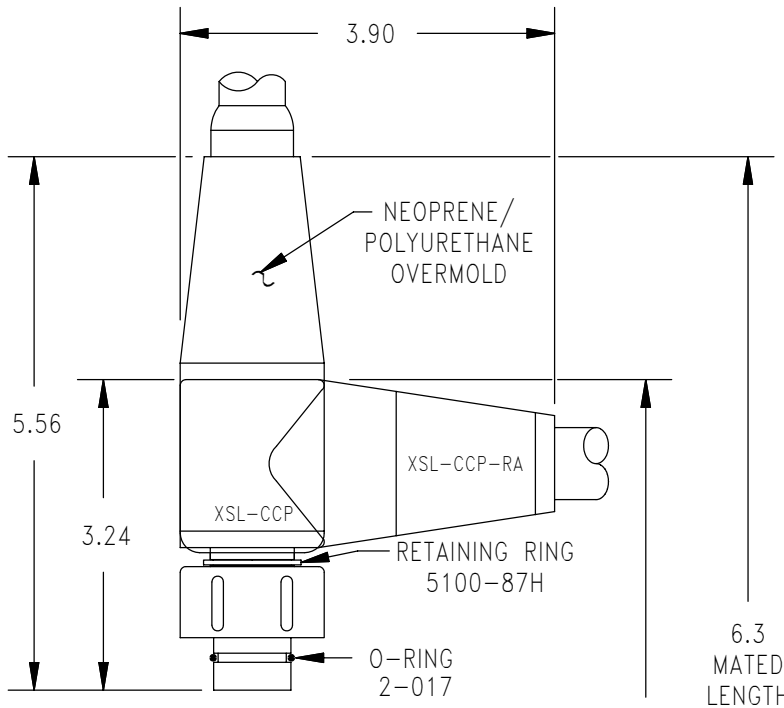


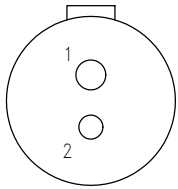
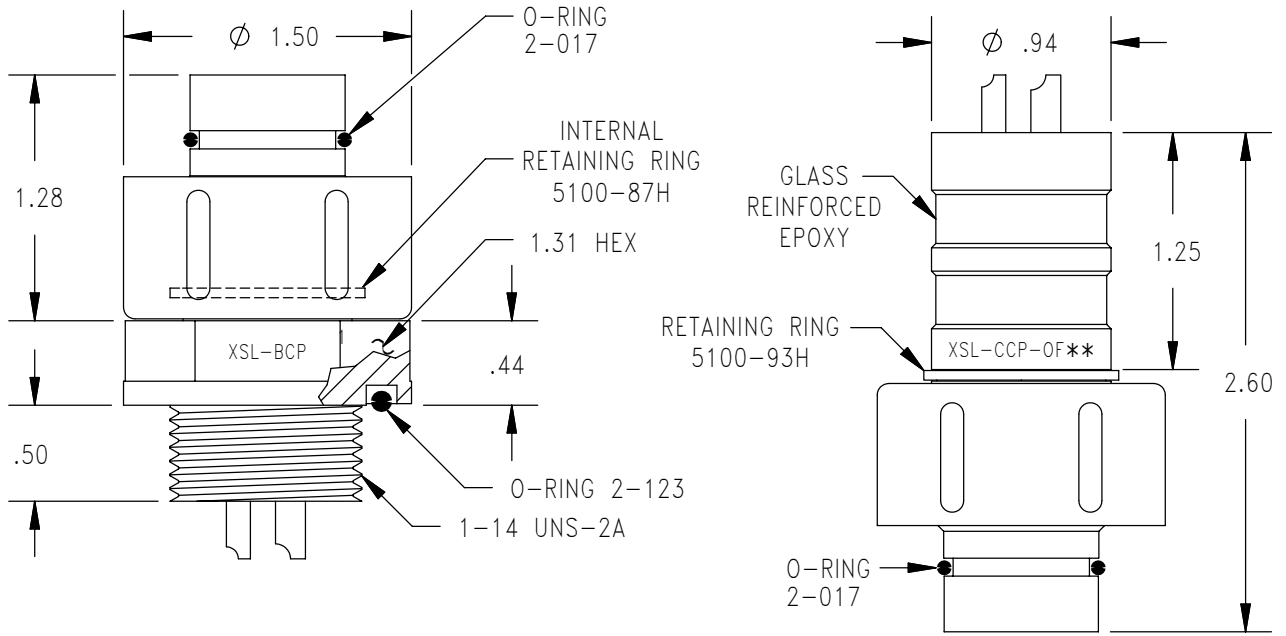
10#20
300 VDC



12#20
250 VDC

MOUNTING TORQUE FOR XSE-BCR	not to exceed 75 in lbs	MATED PRESSURE RATING (psi)	10,000
DUMMY PLUG FOR XSE-BCR/CCR	XSE-*--SCP	DUMMY PLUG FOR XSE-CCP	XSE-SCR
NOTE: CCP/CCR are not terminated to cable unless specified. * Please specify number of contacts.			

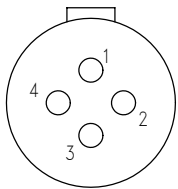




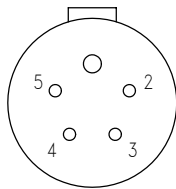
1#8/1#10
600 VDC

CONTACT CONFIGURATION
(BCR FACE VIEWS)

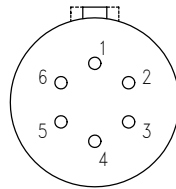
NOTE: Please specify narrow (.125) or wide (.250) key when ordering.



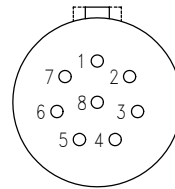
4#10
600 VDC



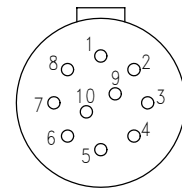
1#14/4#16
500 VDC



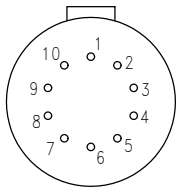
6#16
500 VDC



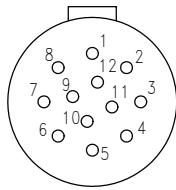
8#16
500 VDC



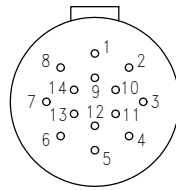
10#16
400 VDC



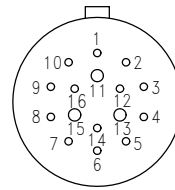
(PBOF)10#20
200 VDC



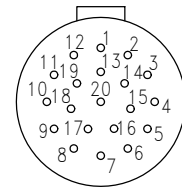
12#16
200 VDC



14#20
200 VDC



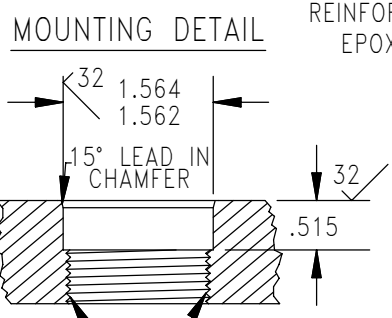
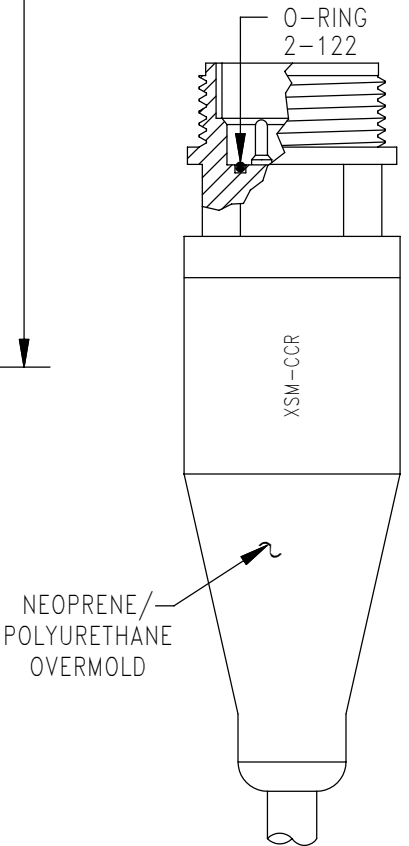
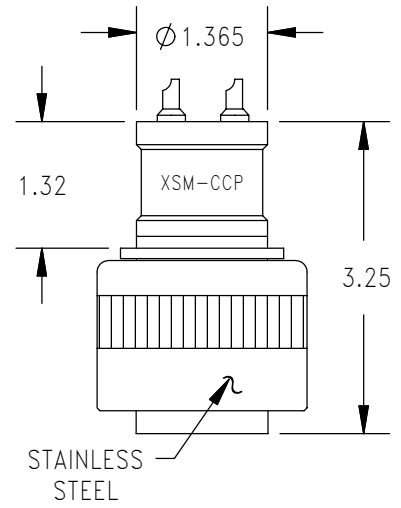
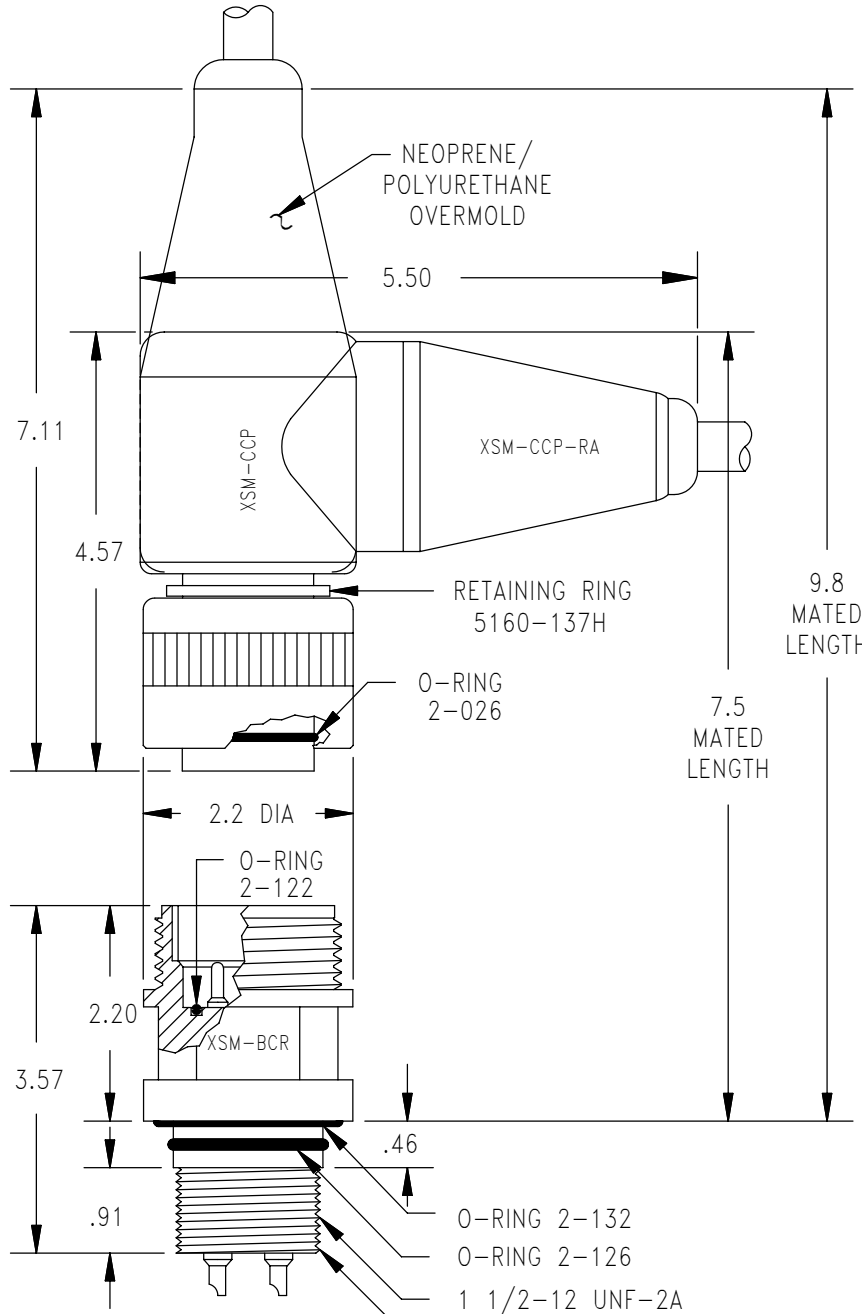
3#16/13#20
200 VDC



20#20
200 VDC

MOUNTING TORQUE FOR XSL-BCR/BCP	not to exceed 130 in lbs	MATED PRESSURE RATING (psi)	20,000
DUMMY PLUG FOR XSL-BCR/CCR	XSL-*--SCP	DUMMY PLUG FOR XSL-CCP/BCP/CCP/CCP-OF	XSL-*--SCR

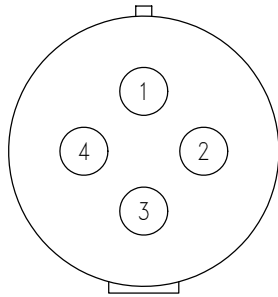
NOTE: CCP/CCR are not terminated to cable unless specified.
 * Please specify number of contacts.
 ** Extended backshell for Oil Filled assemblies.
 *** Also available in .50 thread length, 5-12 contacts only.
 **** XSL-20-BCR, XSL-20-CCR and XSL-20-SCR use o-ring 5-254.



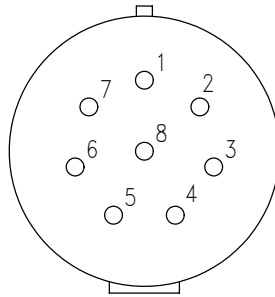
BORE 1.515 DIA
WHEN NUT
IS USED

1 1/2-12 UNF-2B

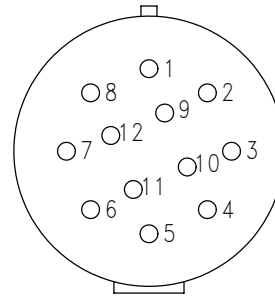
CONTACT
CONFIGURATION
(BCR FACE VIEWS)



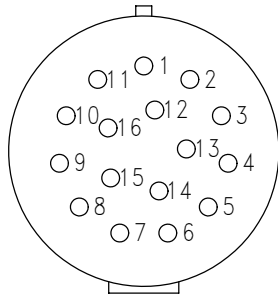
4#6
600 VDC



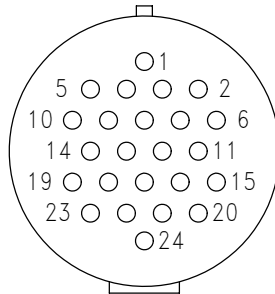
8#14
600 VDC



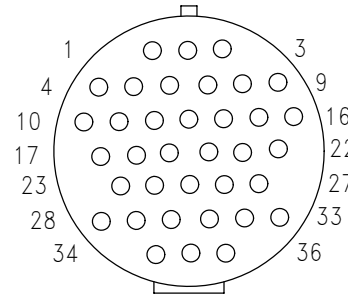
12#14
600 VDC



16#14
600 VDC



24#16
400 VDC



36#16
400 VDC

MOUNTING TORQUE FOR BCR	not to exceed 200 in lbs	MATED PRESSURE RATING (psi)	10,000
DUMMY CAP FOR BCR/CCR	XSM-*—SCP	DUMMY CAP FOR CCP	XSM—SCR
NOTE: CCP/CCR are not terminated to cable unless specified. * Please specify number of contacts.			

THIS PAGE INTENTIONALLY LEFT BLANK